

COMPLETE ASSEMBLY			
ITEM NO.	DESCRIPTION	QUANTITY	QUANTITY
		ARRANGEMENT 1	ARRANGEMENT 2
1	FUSE HOLDER	3	3
2	HRC FUSE CARTRIDGE - 100AMP	3	3
3	NEUTRAL LINK 500V 300A 10 HOLE	1	
4	CABLE 16mm ² Cu SINGLE CORE - RED CABLE 16mm ² Cu SINGLE CORE - WHITE CABLE 16mm ² Cu SINGLE CORE - BLUE CABLE 16mm ² Cu SINGLE CORE - BLACK		1m

ARRANGEMENT 1 - STREETLIGHT CONTROL CUBICLE ONLY.
ARRANGEMENT 2 - STREETLIGHT CONTROL CUBICLE ALSO BEING USED FOR DISTRIBUTION. QUANTITIES ARE ADDITIONAL ITEMS ONLY ABOVE THAT OF ARRANGEMENT 1 NOT TOTAL QUANTITIES.

USE FOR EVOENERGY DISTRIBUTION

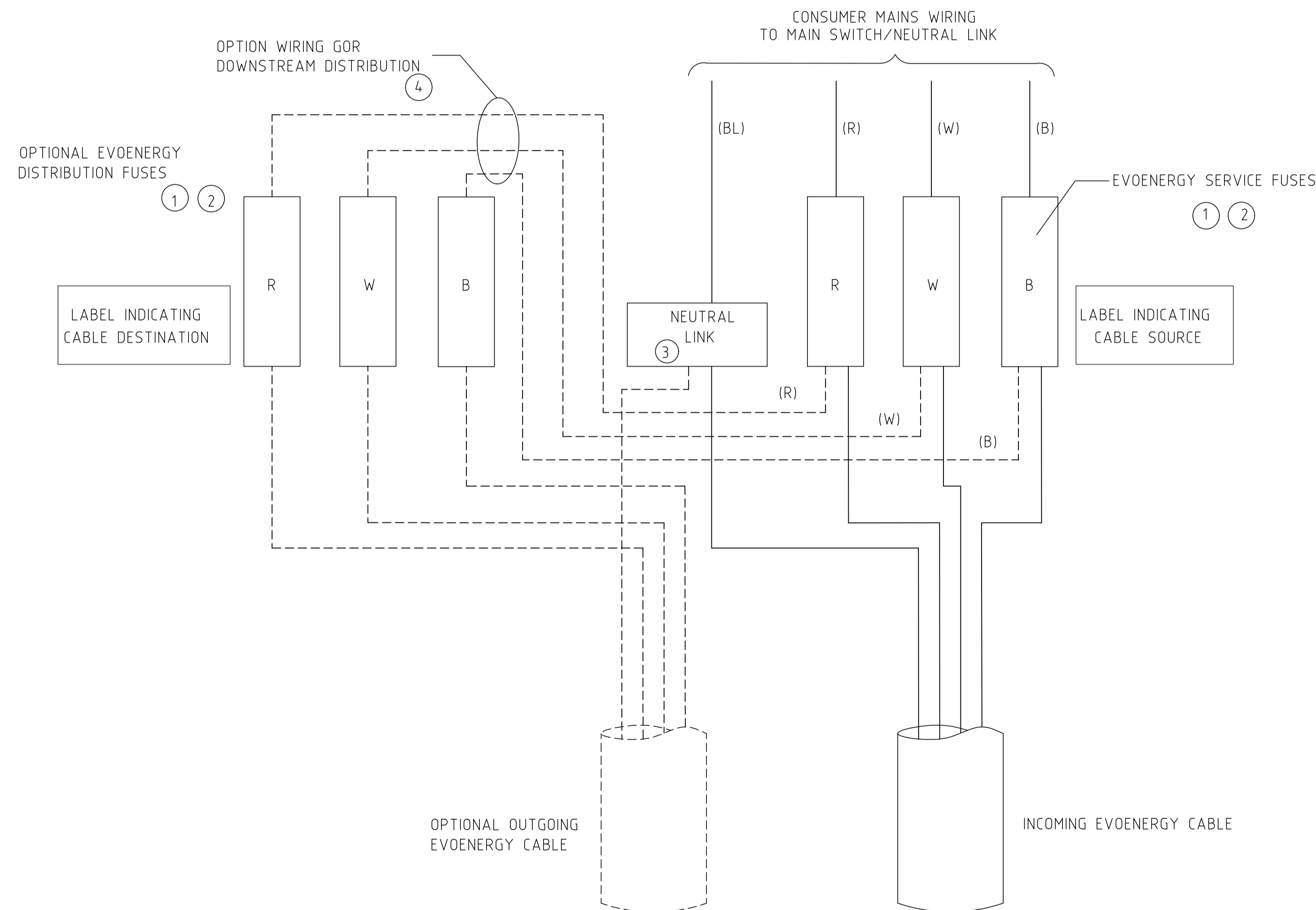
- EVOENERGY MAY CHOOSE TO UTILISE THE STREETLIGHT CONTROL CUBICLE AS A DISTRIBUTION CUBICLE FOR SIMILAR TYPE LOADS WITHIN THE IMMEDIATE VICINITY.
- WHEN USING THE CUBICLE TO SERVICE OTHER LOADS THE FOLLOWING SHALL APPLY:
 - EVOENERGY SHALL SUPPLY AND INSTALL THE OPTIONAL FUSES AND ASSOCIATED WIRING AS REQUIRED
 - THE NUMBER OF DOWNSTREAM CIRCUITS SHALL BE LIMITED TO EITHER 1X3 PHASE OR 3X1 PHASE
 - THE MAXIMUM DEMAND OF THE STREETLIGHTING INSTALLATION AND ALL DOWNSTREAM LOADS SHALL NOT EXCEED 100A PER PHASE
 - THE MAXIMUM OUTGOING EVOENERGY CABLE SIZE SHALL BE 35MM²
 - THE TYPES OF LOADS ABLE TO BE SERVICED FROM THE EVOENERGY DISTRIBUTION PANEL SHALL BE LIMITED TO TCCS ASSETS SUCH AS TRAFFIC LIGHT CONTROLLERS, IRRIGATION CONTROLLERS AND BBQ'S ETC.

NETWORK BOUNDARIES


- THE NETWORK BOUNDARY BETWEEN THE EVOENERGY ELECTRICITY NETWORK AND THE STREETLIGHT INSTALLATION SHALL BE THE EVOENERGY SERVICE FUSES INSTALLED ON THE EVOENERGY DISTRIBUTION PANEL.
- WHEN BEING USED FOR DISTRIBUTION THE OUTGOING CABLES FROM EVOENERGY DISTRIBUTION PANEL FROM PART OF THE ELECTRICITY NETWORK AND THE NETWORK BOUNDARY FOR DOWNSTREAM LOADS SHALL BE THE CABLE TERMINALS OR THE EVOENERGY SERVICE FUSE (IF INSTALLED) AT EACH DOWNSTREAM LOAD.

NOTES:

- THE EVOENERGY SERVICE FUSES FOR THE STREETLIGHT INSTALLATION SHALL BE SUPPLIED BY EVOENERGY AND INSTALLED BY THE CUBICLE MANUFACTURER.
- THE EVOENERGY NEUTRAL LINK AND CONSUMER MAINS WIRING BETWEEN THE EVOENERGY DISTRIBUTION PANEL AND THE STREETLIGHT CONTROL PANEL SHALL BE SUPPLIED AND INSTALLED BY THE CUBICLE MANUFACTURER.
- THE CONSUMER MAINS WIRING SHALL BE 16MM² CU PVC SINGLE CORE CABLE.
- THE CUBICLE MEN SHALL BE PROVIDED ON THE STREETLIGHT CONTROL PANEL SIDE. VERIFICATION OF THE EARTHING/MEN CONNECTION IS REQUIRED BY EVOENERGY PRIOR TO ENERGISATION.
- THE MAXIMUM INCOMING EVOENERGY CABLE SIZE SHALL BE 35MM².
- RELATED/REFERENCE DRAWINGS:
 - ACTSD-4052 CONCRETE FOOTING DETAILS FOR STREETLIGHT CONTROL CUBICLE
 - ACTSD-4015 SINGLE LINE DIAGRAM - STREETLIGHT CONTROL PANEL
 - ACTSD-4016 STREETLIGHT CONTROL CUBICLE



CONNECTION ARRANGEMENT




ACT
Government

STANDARD DRAWING

**STREETLIGHT CONTROL CUBICLE
EVOENERGY SERVICE CONNECTION
ARRANGEMENT**

DRAWING NOT TO SCALE - N.T.S.

Authorised: 

Latest Revision Details

Rev	Amendment	Date
0	BASED ON DRG 0512-01-17	21/12/21

Drawing No. **ACTSD-4017** Revision **0**