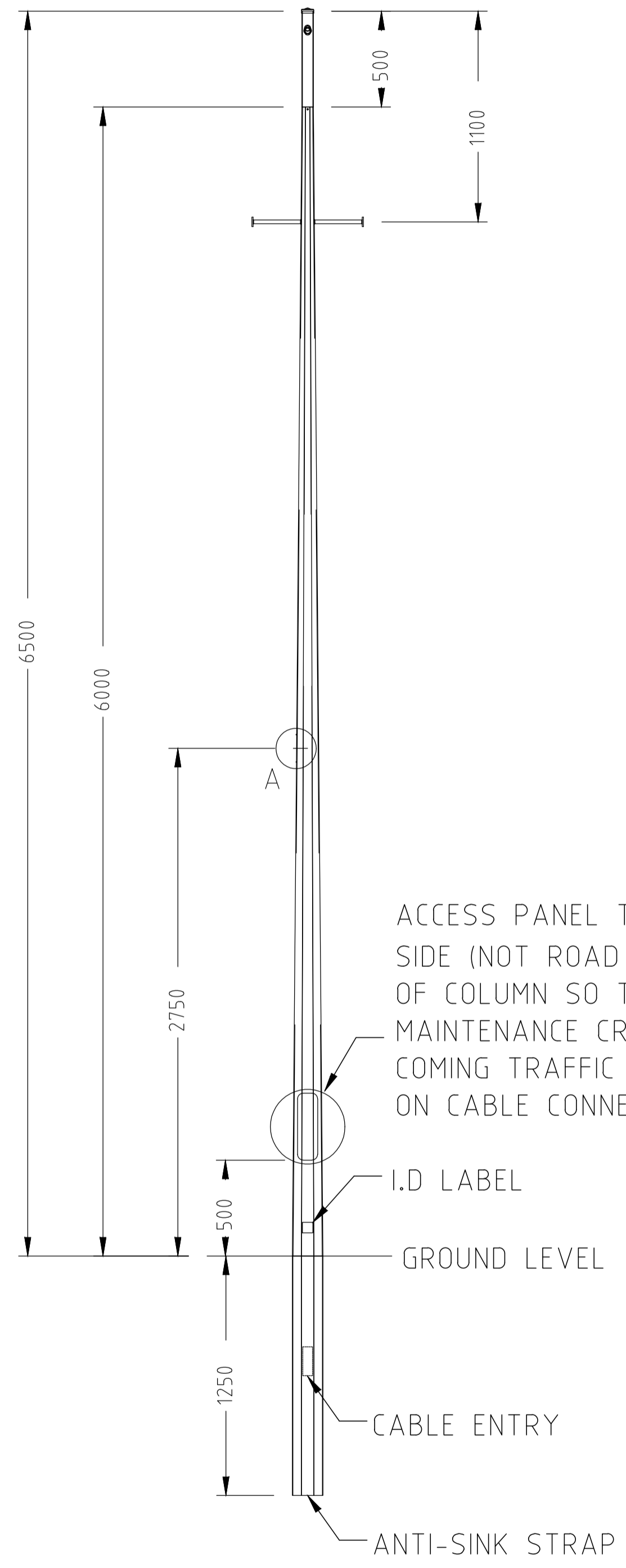
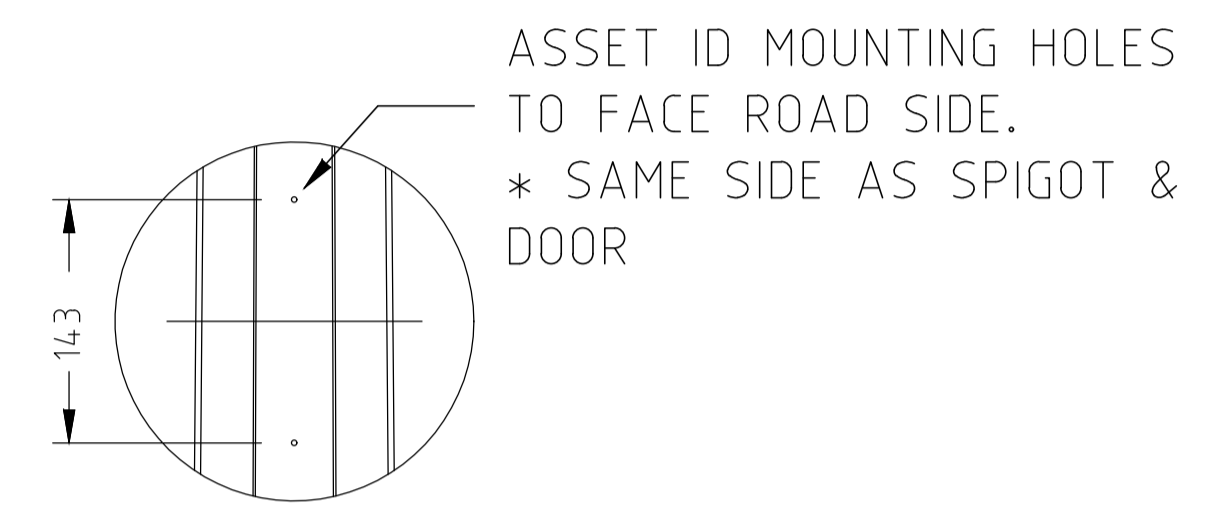


NOTES:

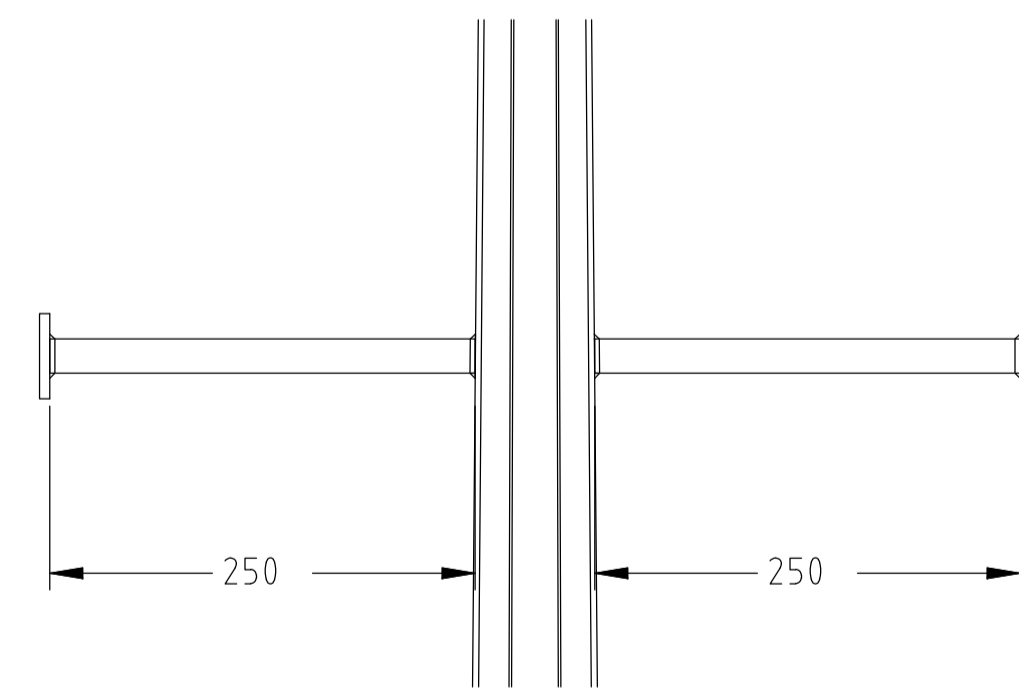
1. ALL DIMENSIONS SHOWN ARE IN mm.
2. COLUMN DESIGN TO COMPLY WITH AS 1170 & AS 1798.
3. ALL WELDING TO COMPLY WITH AS 1554.
4. GALVANIZING TO CONFIRM TO AS/NZS 4680.
5. PAINT FINISH TO AS 3887 CATEGORY LONG TERM.



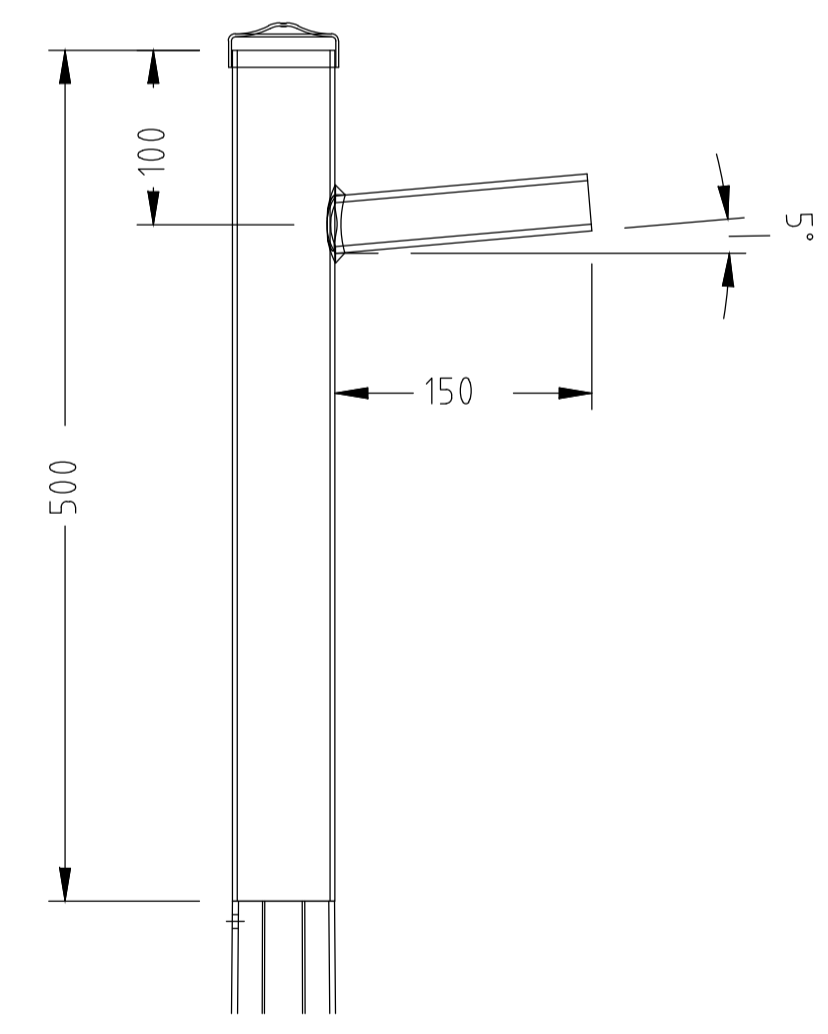
SIDE VIEW



DETAIL A



LADDER REST



TOP ELEVATION



STANDARD DRAWING

6.5m TAPERED COLUMN WITH LADDER REST DIRECT BURIED

DRAWING NOT TO SCALE - N.T.S.

Authorised:

Latest Revision Details		
Rev	Amendment	Date
0	BASED ON DRG DS12-03-04	21/12/21
Drawing No. ACTSD-4104		Revision 0