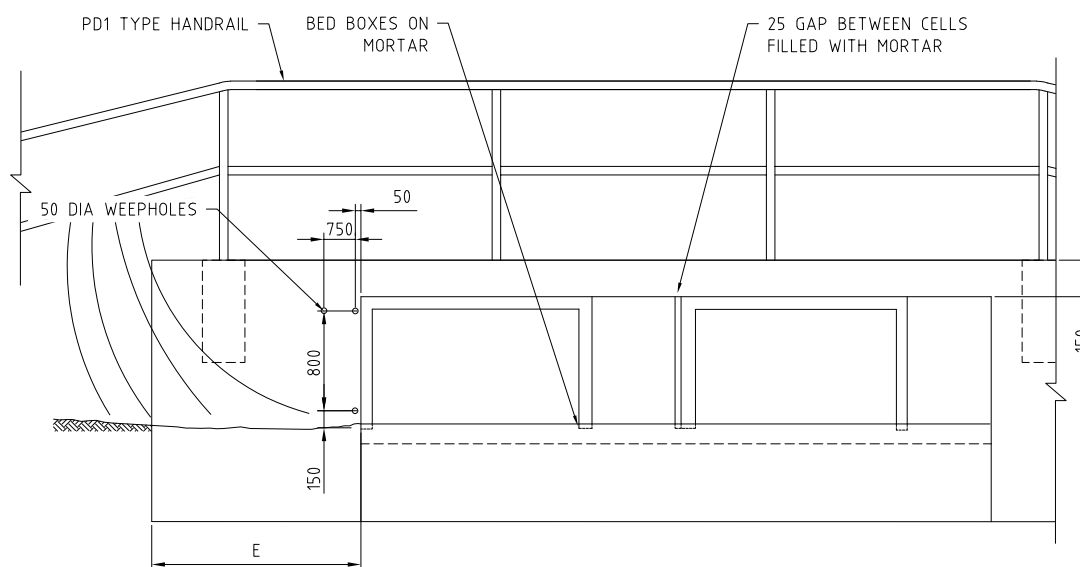


ELEVATION



ELEVATION

NOTES:

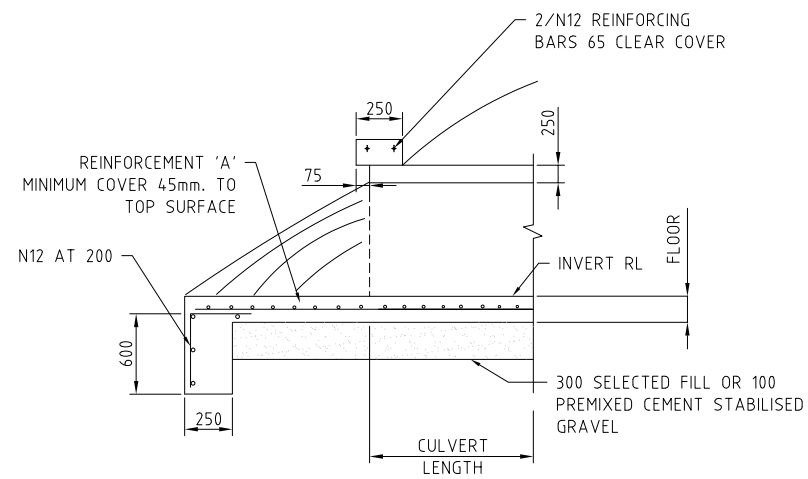
1. PRECAST REINFORCED CONCRETE BOX CULVERTS SHALL COMPLY WITH THE REQUIREMENTS OF AS 1597, INCLUDING PROOF LOAD.
2. MINIMUM CONCRETE COMPRESSIVE STRENGTH SHALL BE 32MPa.
3. MINIMUM COVER 45mm.
4. ALL DIMENSIONS IN mm UNO.

TABLE 1 : STEEL REINFORCEMENT SCHEDULE

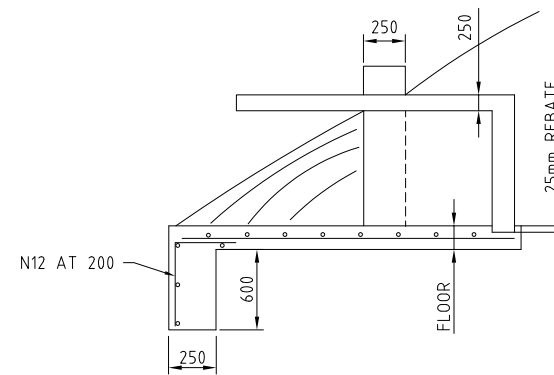
REINFORCEMENT TYPE	REINFORCEMENT A
FOR SLABS UPTO 115mm	RL918
FOR SLABS 130mm	RL1118

TABLE 2 : CULVERT DIMENSION SCHEDULE

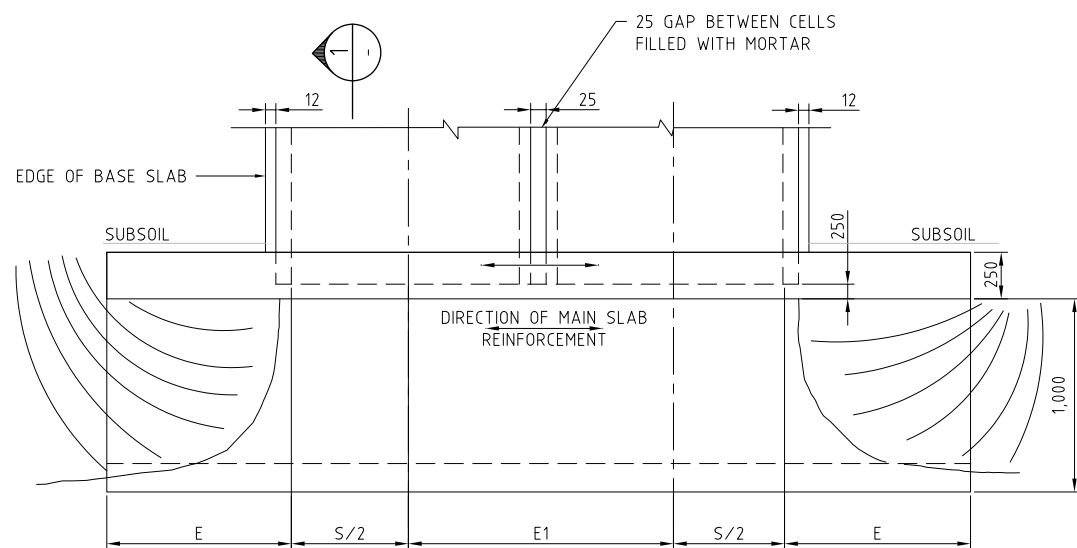
NOMINAL CULVERT SIZE		FLOOR THICKNESS	ALL ANGLES θ		ANGLE OF SKEW							
H	S		L	E	0=0 DEG.		0=15 DEG.		0=30 DEG.		0=45 DEG.	
				E1	E2	E3	E2	E3	E2	E3	E2	E3
225	375	100	900	320	500	250	520	280	580	340	710	
225	450	100	910	330	580	290	600	320	670	390	820	
300	450	100	990	450	570	280	590	320	660	390	810	
225	600	115	950	340	750	370	780	420	860	510	1,060	
300	600	115	1,030	460	750	370	770	420	860	510	1,060	
375	600	115	1,100	570	740	370	770	410	860	510	1,050	
450	600	115	1,180	690	740	370	770	410	850	500	1,050	
300	750	115	1,040	480	910	460	950	510	1,060	630	1,290	
450	750	115	1,190	710	910	460	940	510	1,050	620	1,280	
600	750	115	1,340	940	900	450	930	510	1,040	620	1,270	
300	900	115	1,040	480	1,070	540	1,110	610	1,240	740	1,520	
450	900	115	1,190	710	1,070	540	1,110	610	1,240	740	1,520	
600	900	115	1,340	940	1,070	540	1,110	600	1,230	740	1,510	
300	1,200	130	1,060	500	1,400	710	1,450	790	1,610	970	1,970	
450	1,200	130	1,210	730	1,390	710	1,440	790	1,610	970	1,970	
600	1,200	130	1,370	960	1,380	700	1,430	780	1,600	960	1,960	



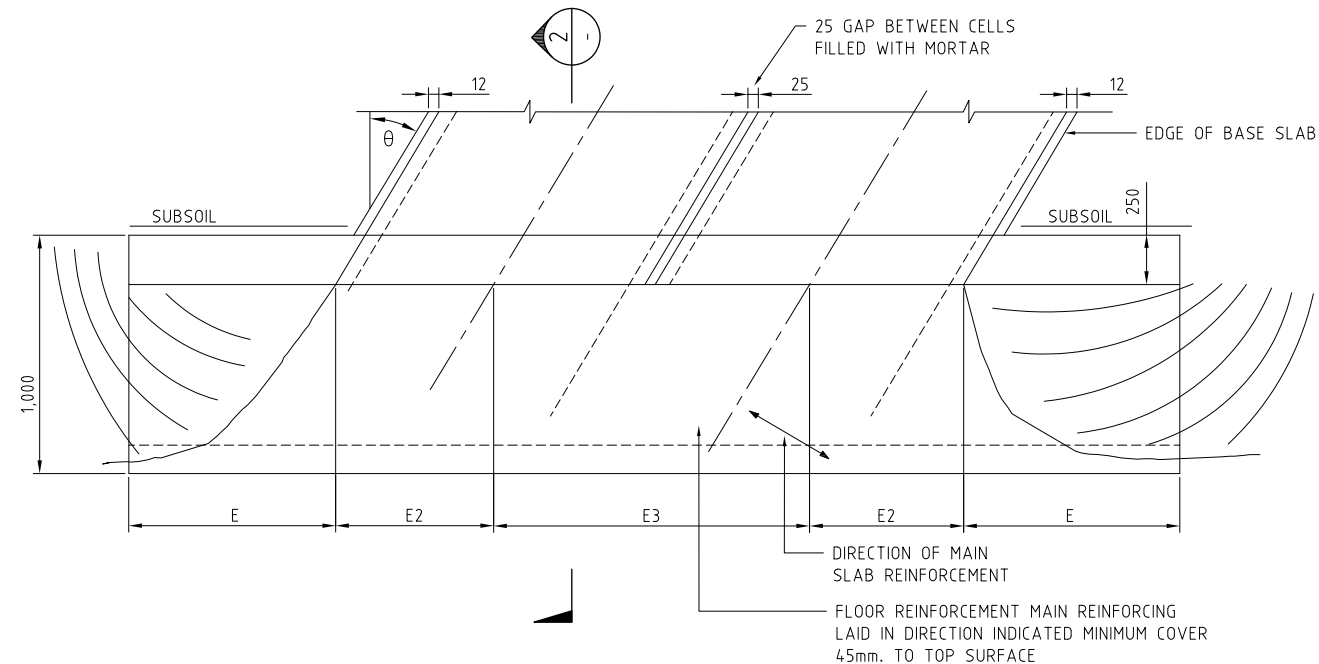
SECTION 1



SECTION 2



PLAN SQUARE ENDWALLS



PLAN SKEW ENDWALLS



STANDARD DRAWING

ENDWALLS FOR PRECAST BOX CULVERTS
NOT TO SCALE

Authorised: *[Signature]*

Latest Revision Details

Rev	Amendment	Date
0	BASED ON DRG ST-0023	14/01/19
Drawing No. ACTSD-0853		Revision 0