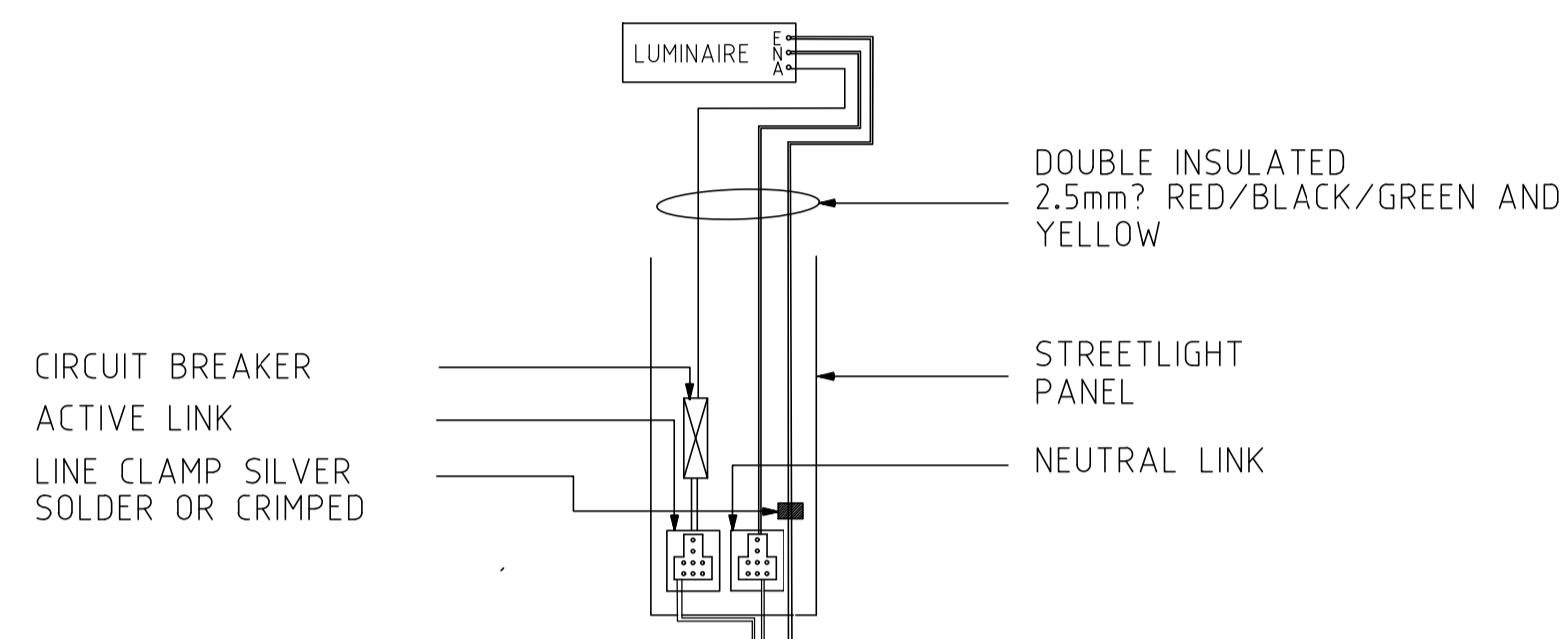
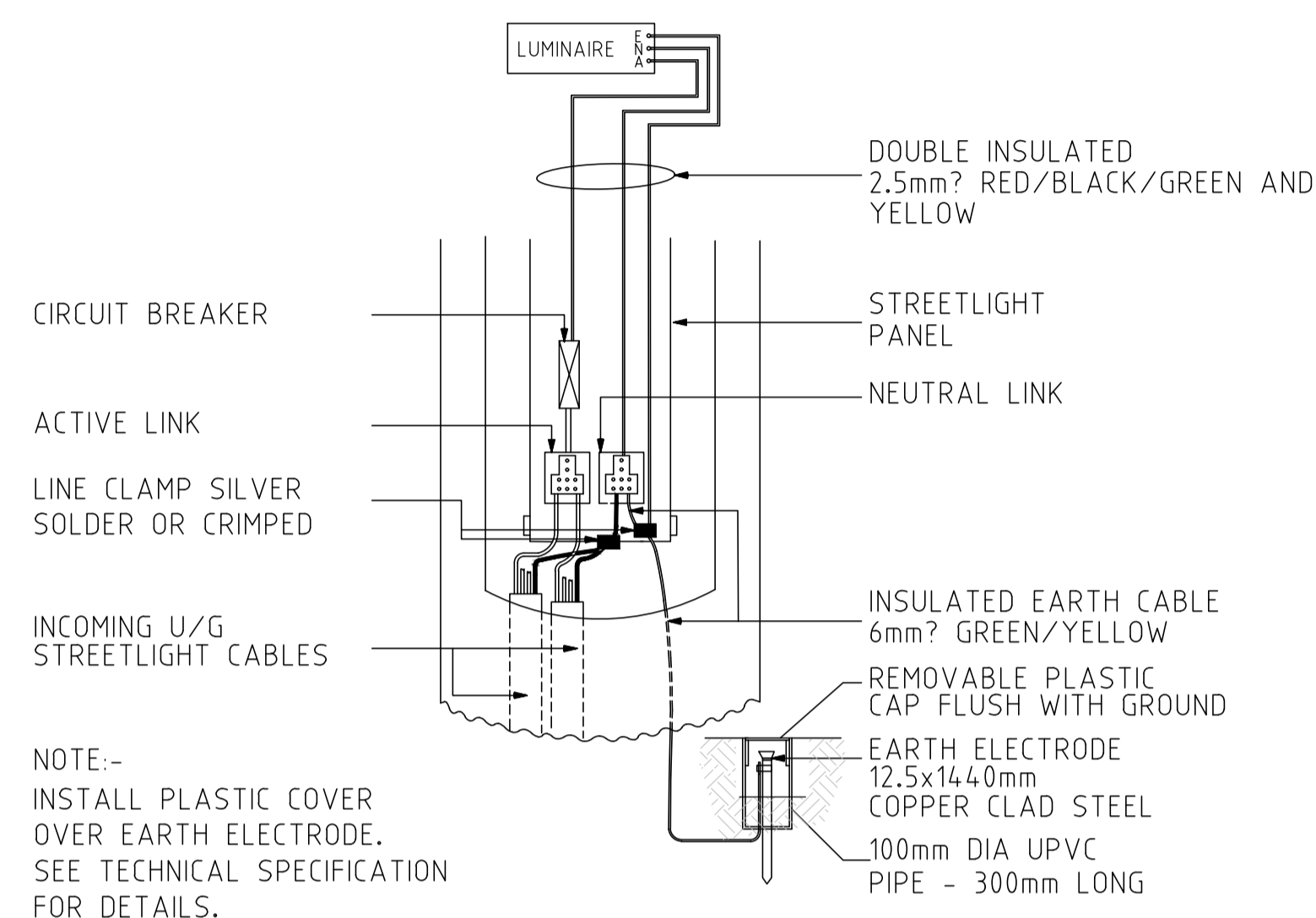


GENERAL NOTES:

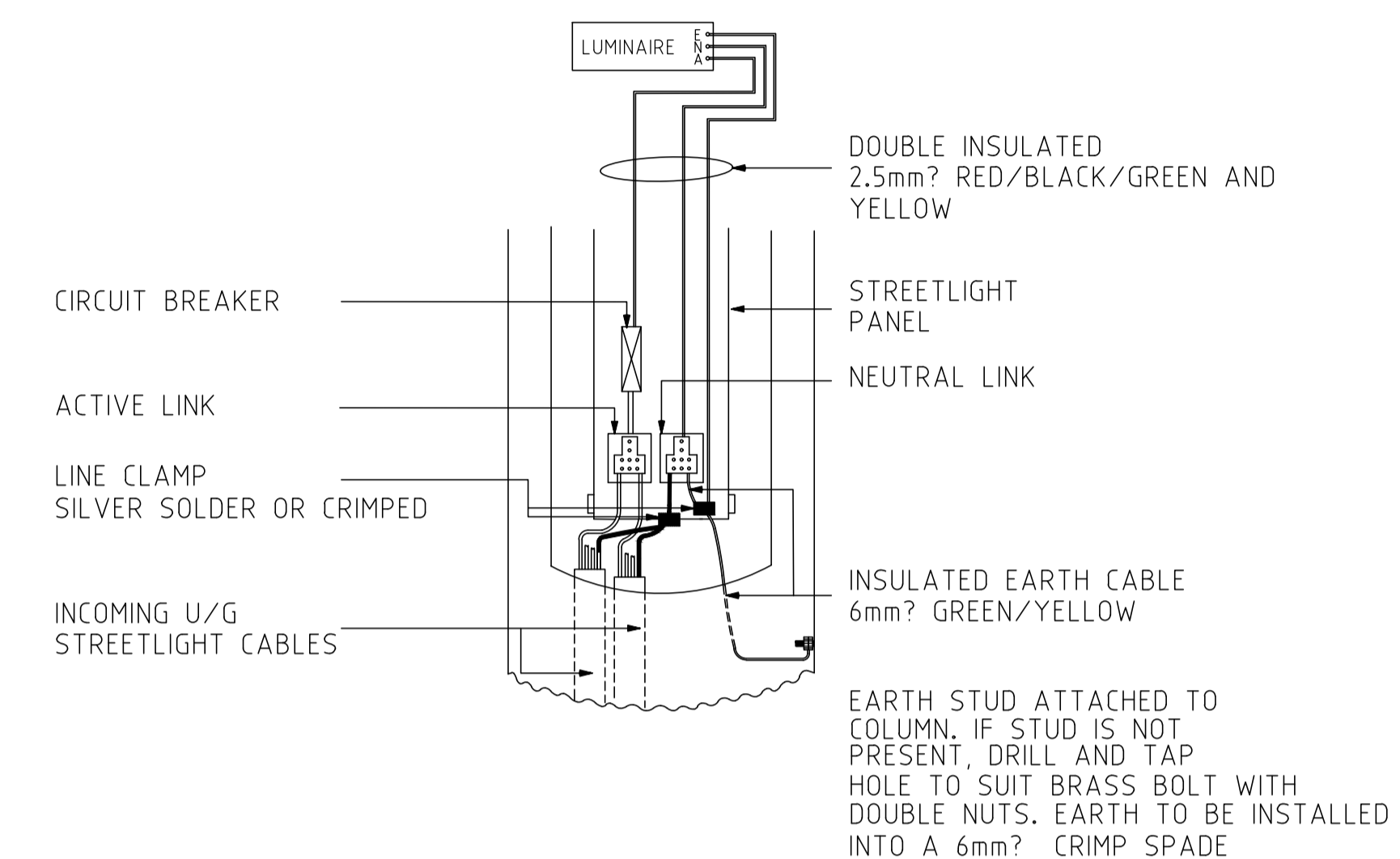
1. WHERE 3x3 PHASE STREETLIGHT CABLES ARE TERMINATED A 5 WAY NEUTRAL LINK MAY BE REQUIRED.
2. EARTH CABLE 6mm² GREEN / YELLOW INSULATED EARTH CABLE.
3. EARTH ELECTRODE IS A COPPER CLAD STEEL ROD 12.5mm IN DIAMETER AND 1440mm LONG.



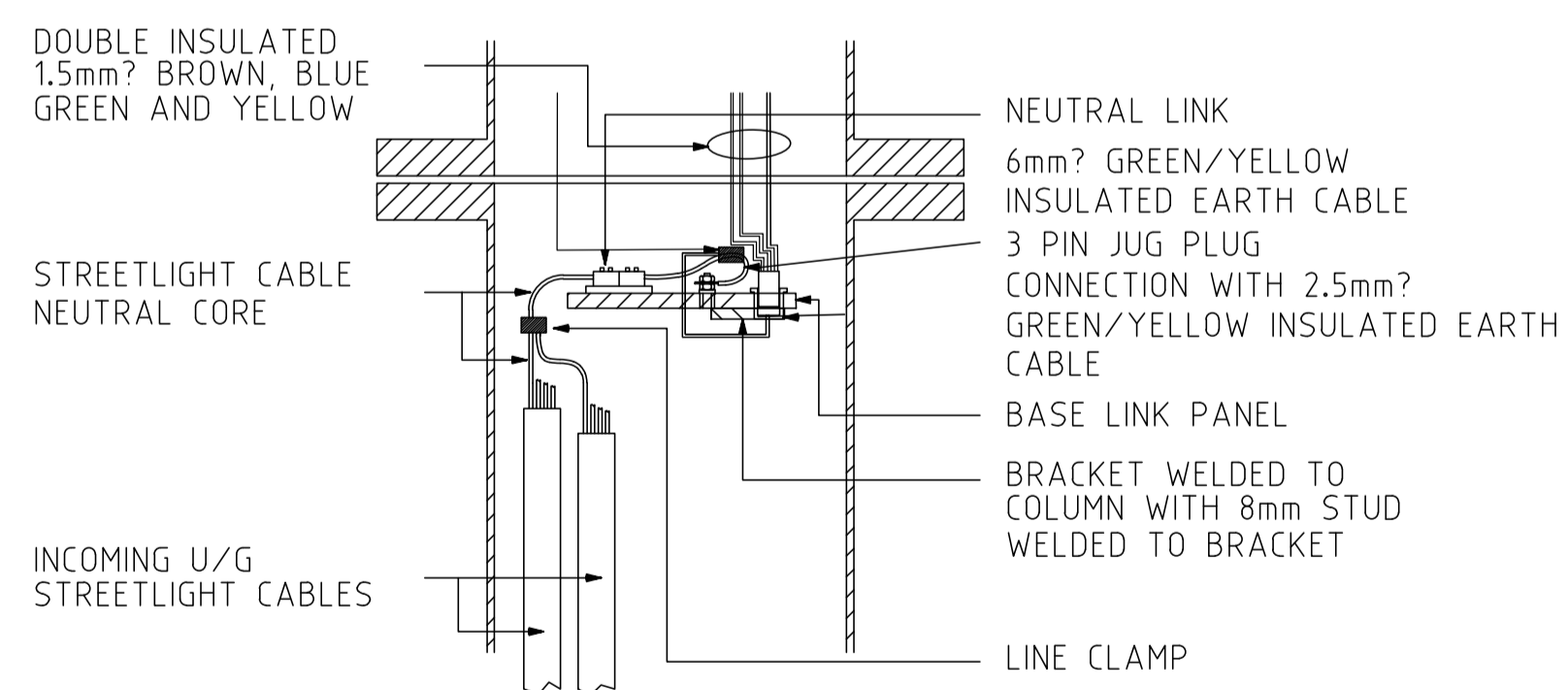
EARTHING ARRANGEMENT FOR SLIP BASE STEEL STREET LIGHT COLUMNS



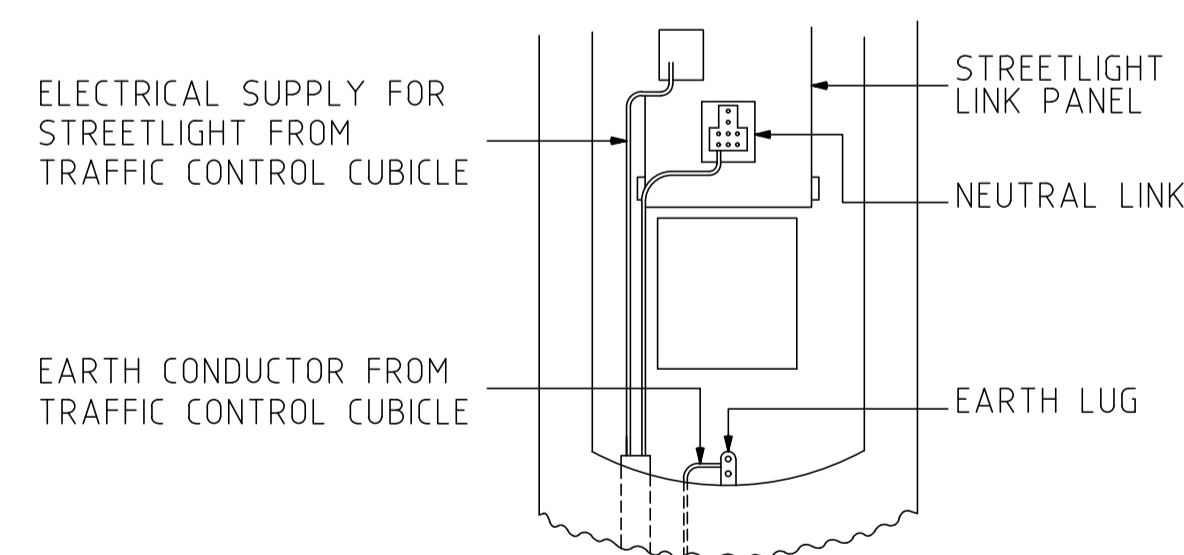
EARTHING ARRANGEMENT FOR CONCRETE COLUMNS AND STEEL COLUMNS MOUNTED ON RAGBOLT ASSEMBLIES



EARTHING ARRANGEMENT FOR DIRECT BURIED STEEL STREET LIGHT COLUMNS



SECTION THROUGH SLIP BASE COLUMN



COMBINED TRAFFIC LIGHT & STREETLIGHT COLUMN

COMBINED COLUMN NOTES:

1. COMBINED USE COLUMNS MUST NOT BE CONNECTED TO THE STREETLIGHT CIRCUIT.
2. SUPPLY TO STREETLIGHT COLUMN TO BE TAKEN FROM TRAFFIC LIGHT CONTROL BOX.
3. EACH LUMINAIRE IS TO HAVE AN INDIVIDUAL PE CELL BASE (NEMA OR D2 TYPE).



STANDARD DRAWING

MEN EARTHING OF STREETLIGHT COLUMNS

DRAWING NOT TO SCALE - N.T.S.

Authorised:

Latest Revision Details

Rev	Amendment	Date
0	BASED ON DRG 0512-01-20	21/12/21

Drawing No. **ACTSD-4020** Revision **0**