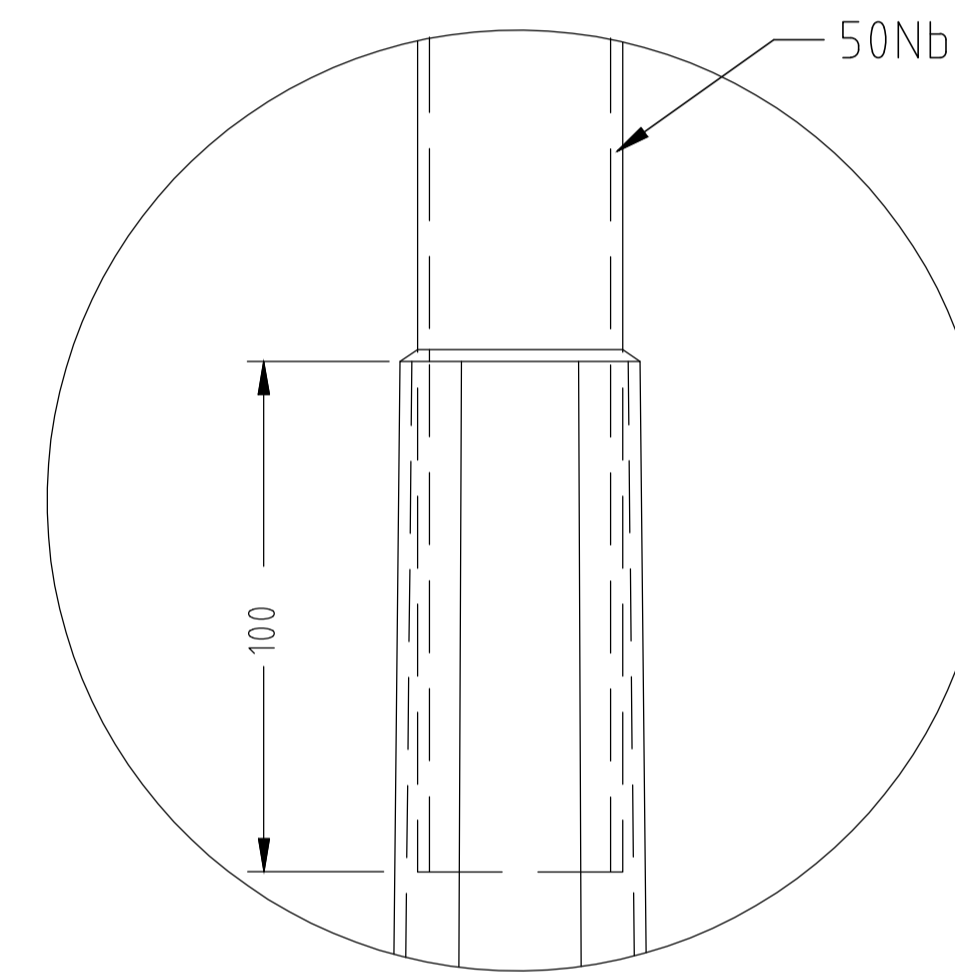
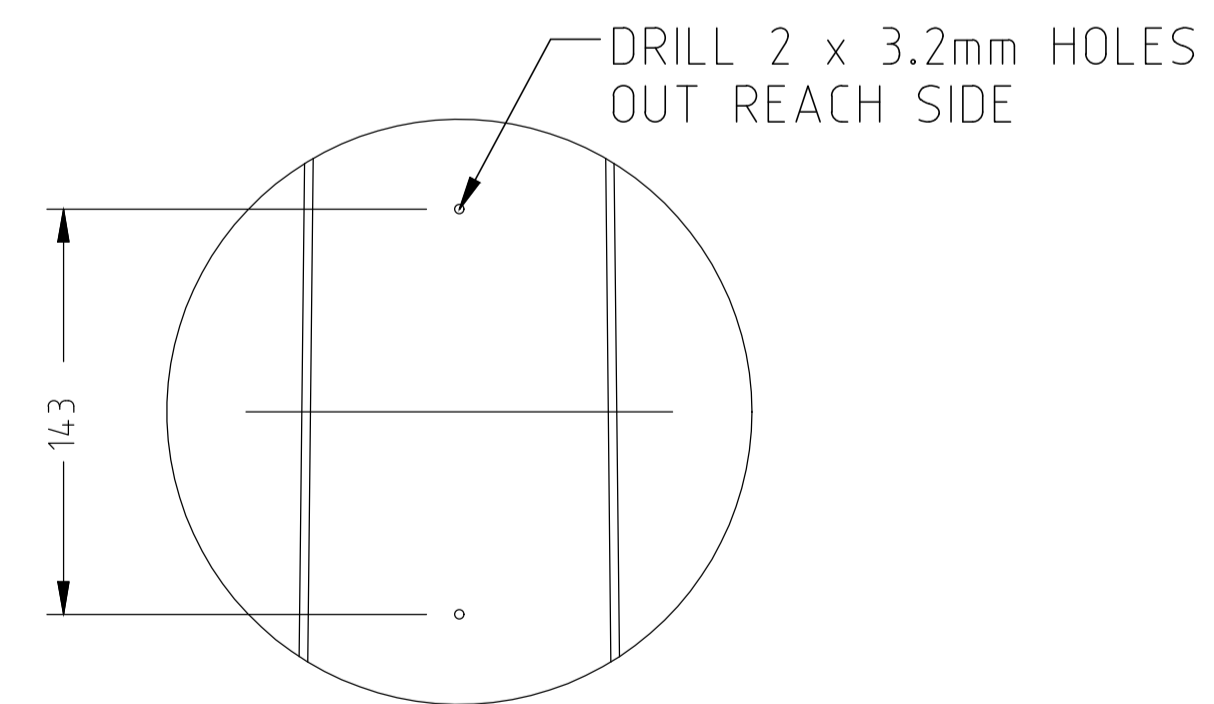


DETAIL C



DETAIL B



SIDE ELEVATION A

NOTES:

1. ALL DIMENSIONS SHOWN ARE IN mm.
2. COLUMN DESIGN TO COMPLY WITH AS 1170 & AS 1798.
3. ALL WELDING TO COMPLY WITH AS 1554.
4. GALVANIZING TO CONFIRM TO AS/NZS 4680.
5. PAINT FINISH TO AS 3887 CATEGORY LONG TERM.



STANDARD DRAWING

**6.5m SINGLE TAPERED
OCTAGONAL DIRECT BURIED**

DRAWING NOT TO SCALE - N.T.S.

Authorised:

Latest Revision Details

Rev	Amendment	Date
0	BASED ON DRG DS12-03-05	21/12/21
Drawing No. ACTSD-4105		Revision 0