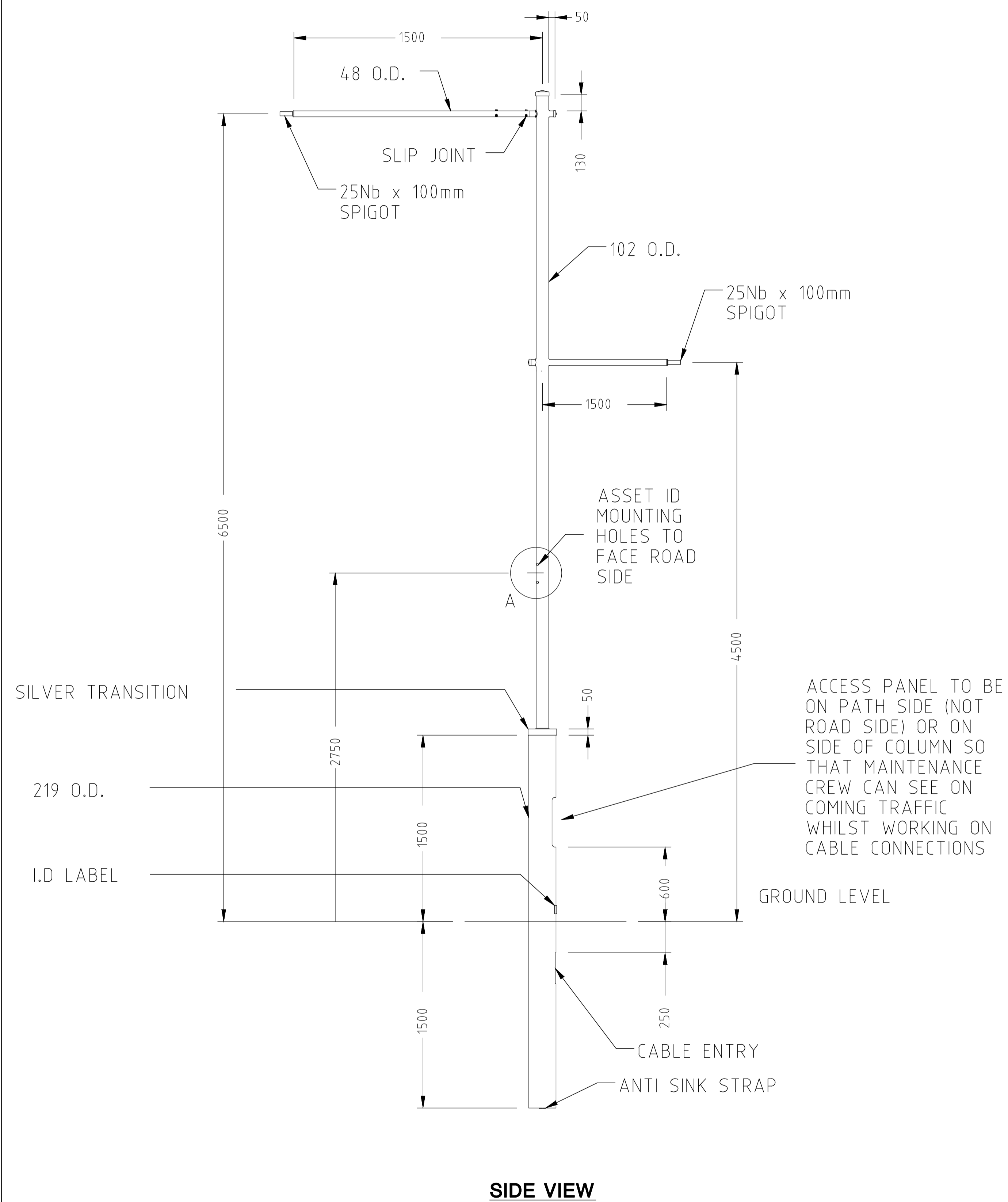
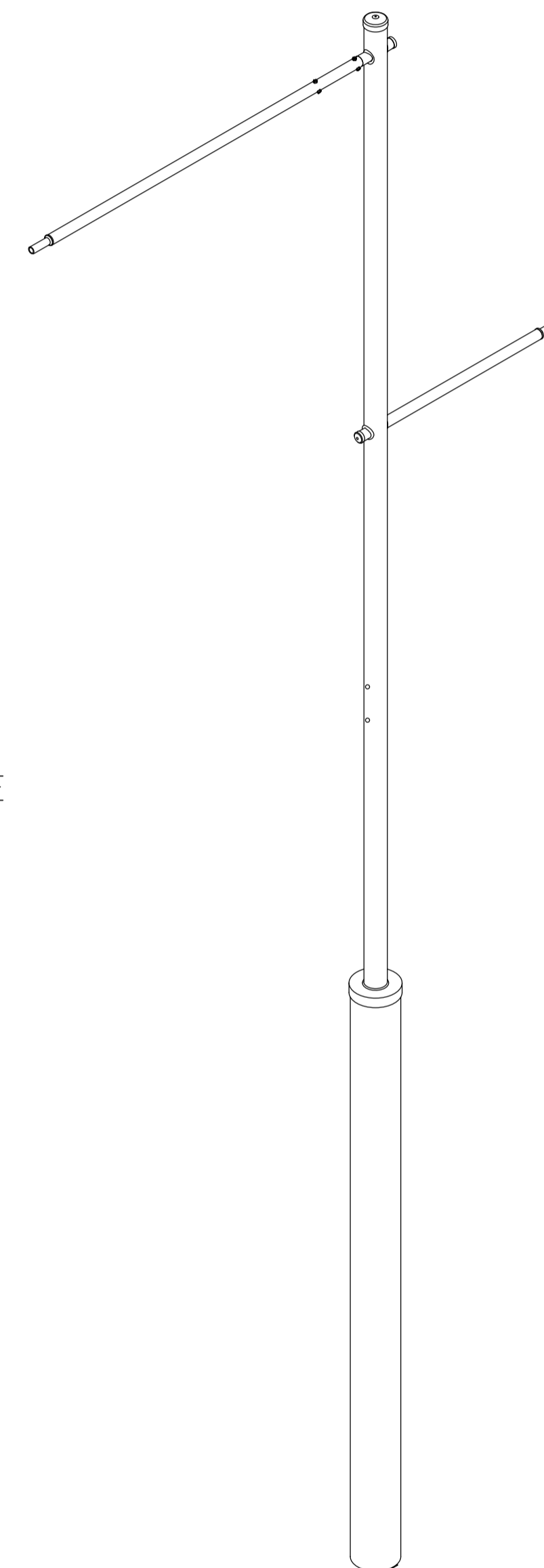


NOTES:

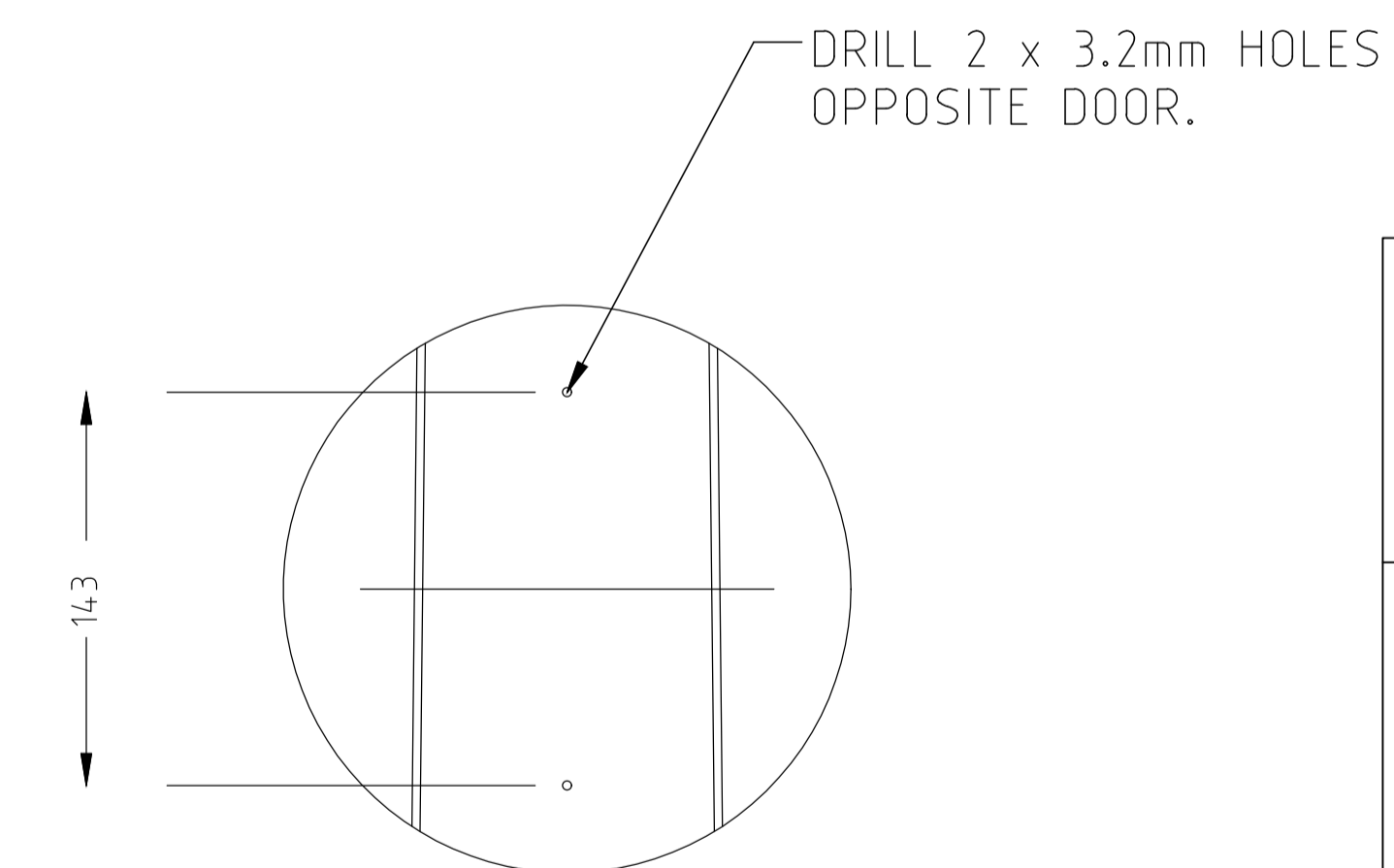
1. ALL DIMENSIONS SHOWN ARE IN mm.
2. COLUMN DESIGN TO COMPLY WITH AS 1170 & AS 1798.
3. ALL WELDING TO COMPLY WITH AS 1554.
4. GALVANIZING TO CONFIRM TO AS/NZS 4680.
5. PAINT FINISH TO AS 3887 CATEGORY LONG TERM.



SIDE VIEW


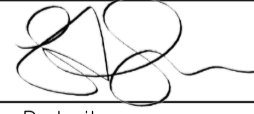


ISO VIEW



SIDE ELEVATION A

COLOUR: CHARCOAL GREY 32999 c/w SILVER TRANS

 ACT Government	
STANDARD DRAWING	
6.5m DUAL MULTI HEIGHT FORDE DECORATIVE COLUMN DIRECT BURIED	
DRAWING NOT TO SCALE - N.T.S.	
Authorised: 	
Latest Revision Details	
0 BASED ON DRG 0512-03-19	21/12/21
Rev Amendment	Date
Drawing No.	Revision
ACTSD-4119	0