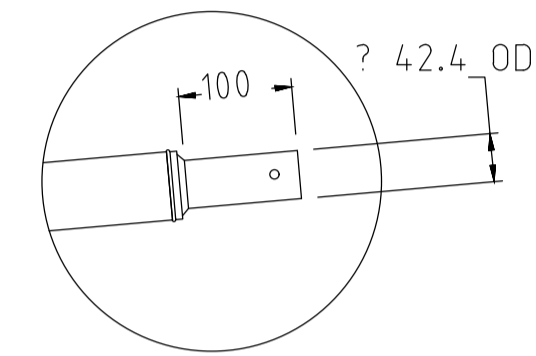
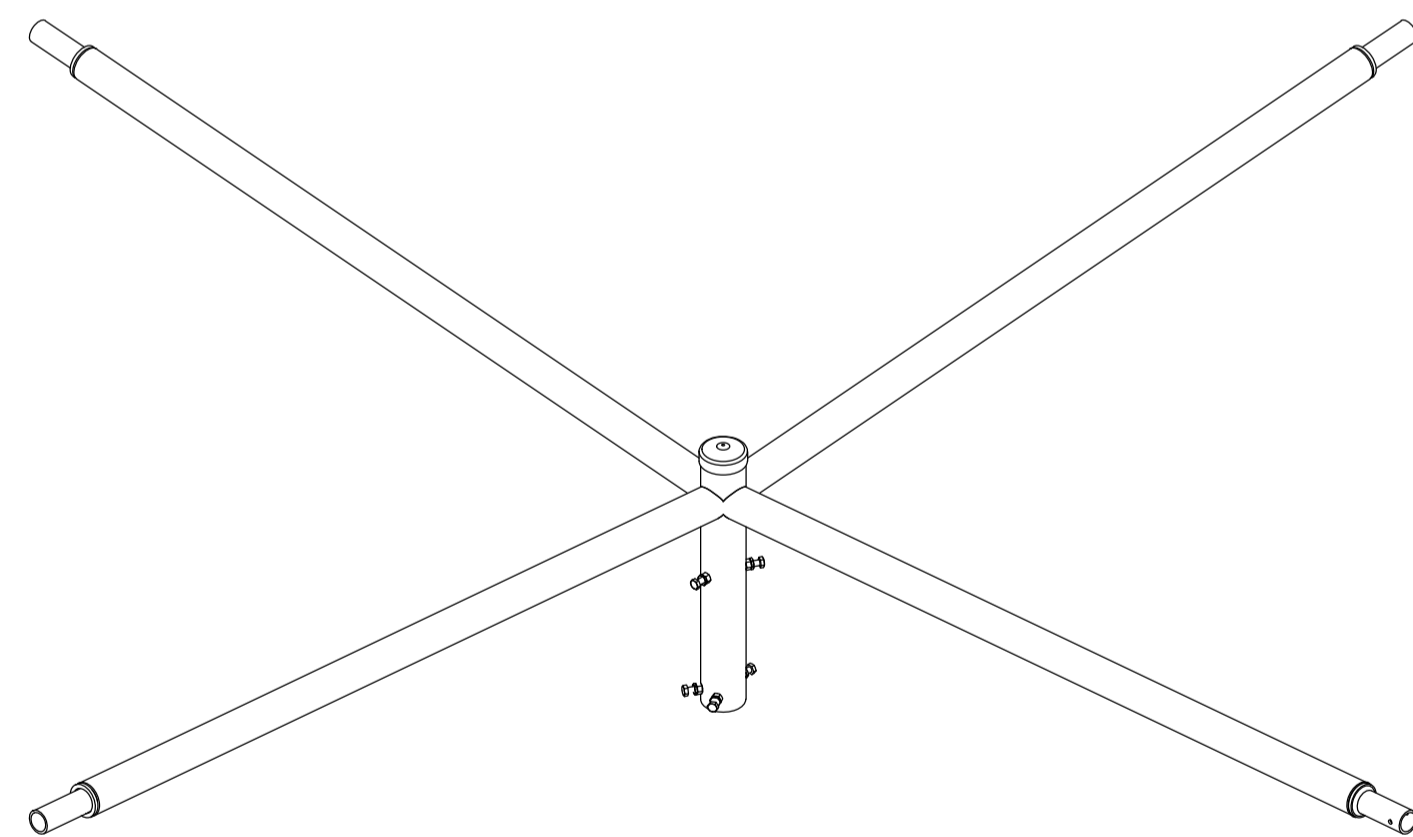


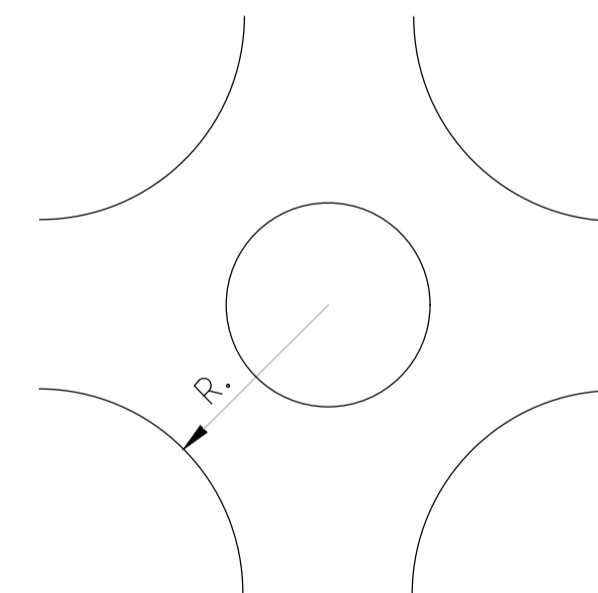
**SIDE VIEW**



**DETAIL A**



**ISO VIEW**



**TYPICAL ROUNDABOUT INSTALLATION**



**ACT**  
Government

STANDARD DRAWING

**15m 4 WAY PIPE OUTREACH ARM  
(5DEG)**

DRAWING NOT TO SCALE - N.T.S.

Authorised:

Latest Revision Details

0	BASED ON DRG DS12-04-06	21/12/21
Rev	Amendment	Date
Drawing No.		Revision
ACTSD-4156		0