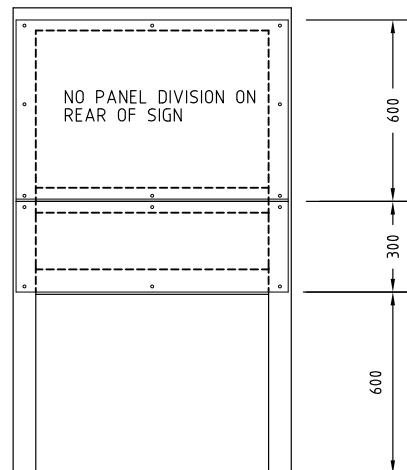
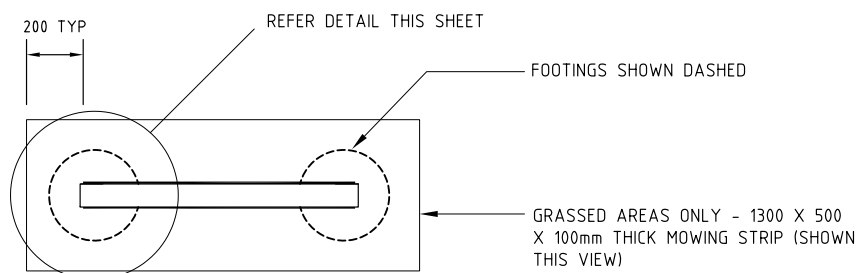


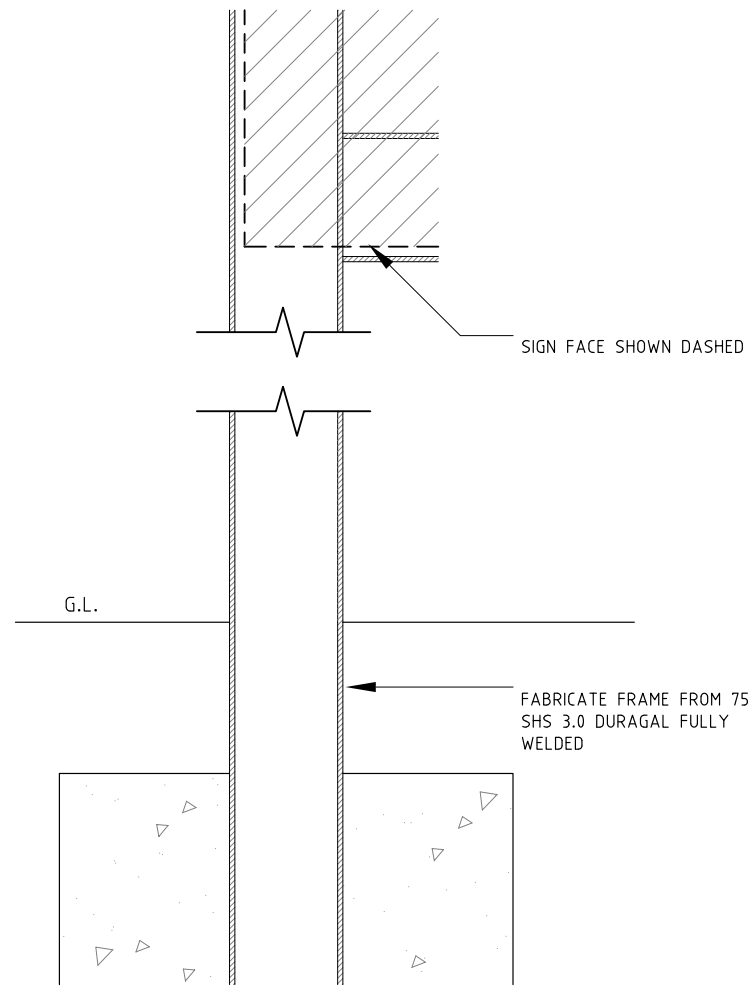
ELEVATION
(300 / 600 / 900 PANEL) 1:25



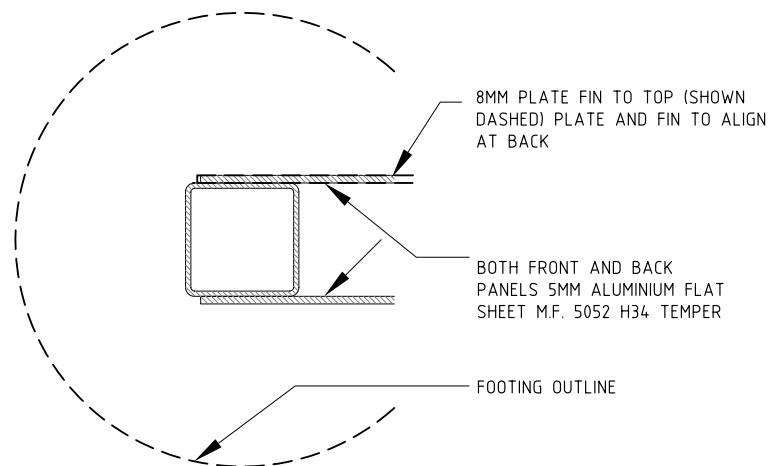
ELEVATION
(DUAL PANEL ALTERNATIVE) 1:25



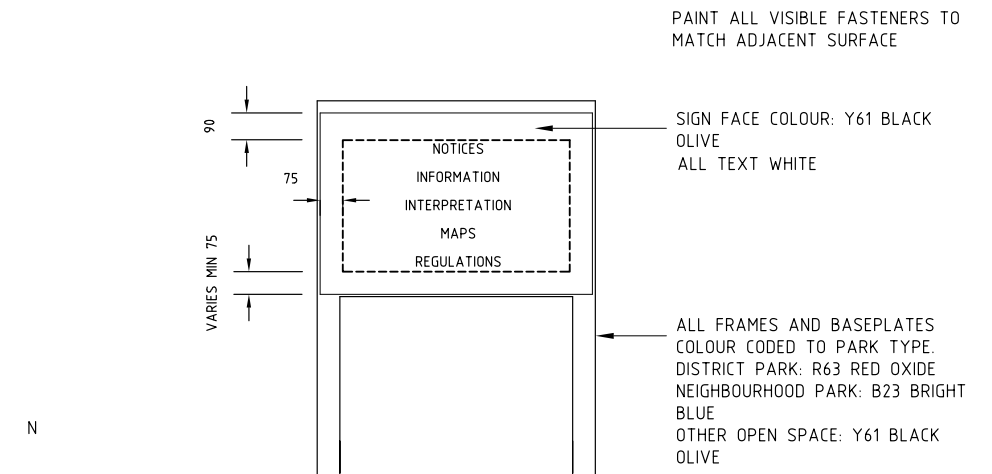
PLAN
1:25



DETAIL
SECTION 1:5





DETAIL
PLAN 1:5



FINISHES & TYPICAL GRAPHIC LAYOUT
1:25

NOTES:

- ALL WORK AND MATERIALS ARE TO COMPLY WITH THE LATEST RELEVANT AUSTRALIAN STANDARDS AND CODES.
- GRAPHICS, TEXT & LOGOS TO PROJECT REQUIREMENTS AND ACT GOVERNMENT BRANDING POLICY AT TIME OF INSTALLATION. REFER MIS 22 FOR GRAPHIC GUIDELINES.
- GRIND WELDS SMOOTH AND REMOVE WELD SPATTER. MAKE SMOOTH ALL SHARP OR HAZARDOUS EDGES. COLD GALVANISE PAINT ALL AREAS DISTURBED PRIOR TO PAINT FINISH APPLICATION.
- FOR GALVANISED SURFACES SURFACE PREPARATION MAY INVOLVE DEGREASING, SOLVENT CLEANING AND ETCHING OR LIGHT BRUSH BLASTING. FINISHED SURFACES ARE TO BE SMOOTH AND FLAT WITH PAINT EVENLY APPLIED.
- PAINT FINISH SHALL BE EQUAL TO DE BEER COLOUR SYSTEMS BERTHANE FLEET SERIES 700 - HIGH GLOSS, NON-YELLOWING, 2-PACK POLYURETHANE FINISH (AIR-DRYING OR FORCE-DRYING). INCLUDE SURFACE PREPARATION, EDGE PRIMER, UNDERCOAT PRIMER, 2 SATIN FINISH FINISHING COATS OF PAINT AND 2 HEAVY FINISHING COATS OF CLEAR TWO PACK POLYURETHANE.
- SIGN MESSAGES, GRAPHICS AND PICTOGRAMS MASKED AND SPRAYED ON PAINTED SIGN FACES. ALL GRAPHICS TO BE PERMANENTLY APPLIED AND ACCURATELY REPRODUCED FROM ELECTRONIC FILES.
- TREAT ALL EXPOSED SURFACES WITH APPROVED SACRIFICIAL, INVISIBLE ANTI GRAFFITI TREATMENT SUCH AS PSS 20 OR EQUAL.

 ACT Government	
STANDARD DRAWING	
SIGNAGE STANDARD DETAIL SHEET 3	
Authorised: 	
Latest Revision Details	
0 FIRST ISSUE	25-2-19
Rev Amendment	Date
Drawing No. ACTSD-2511	Revision 0