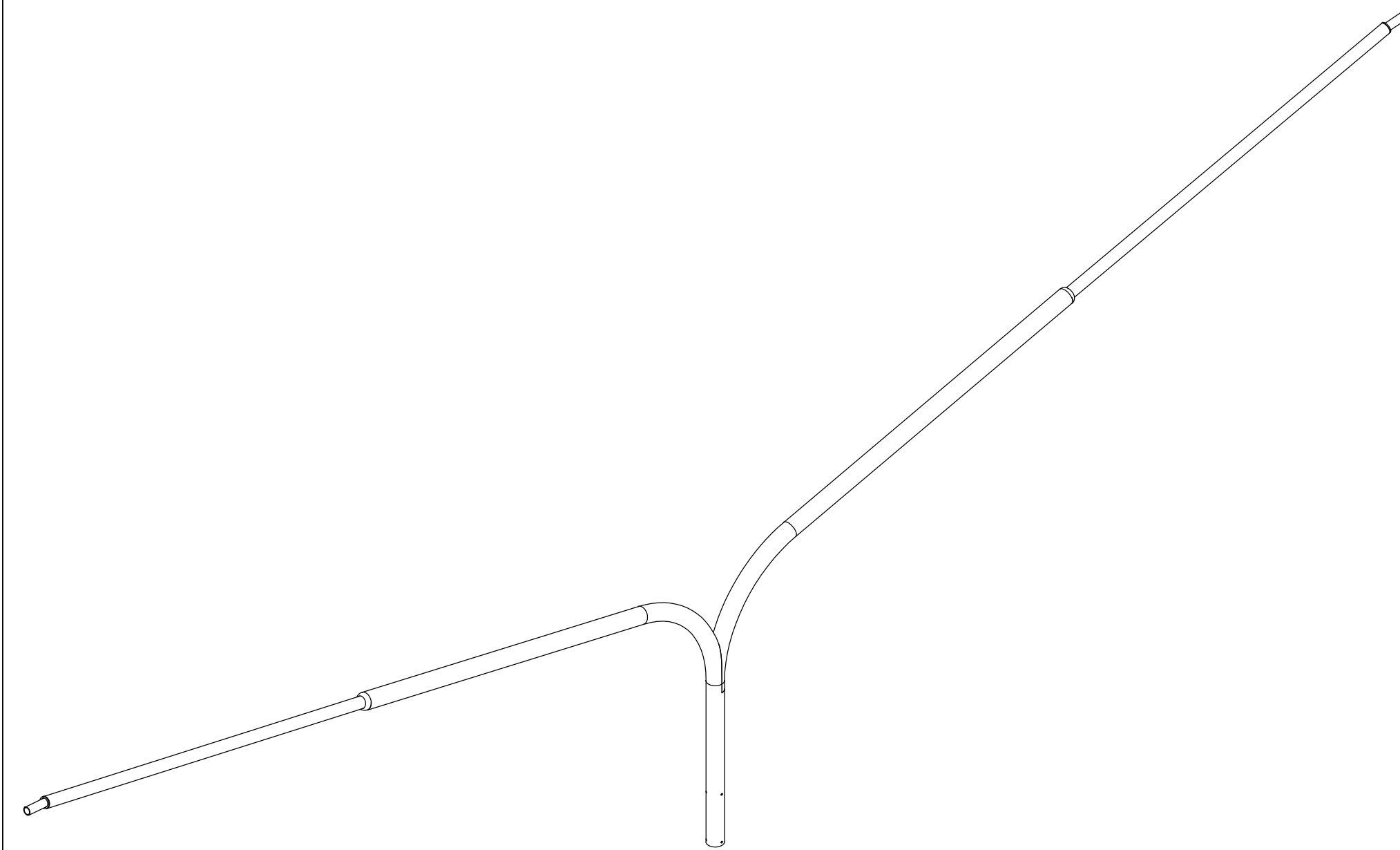
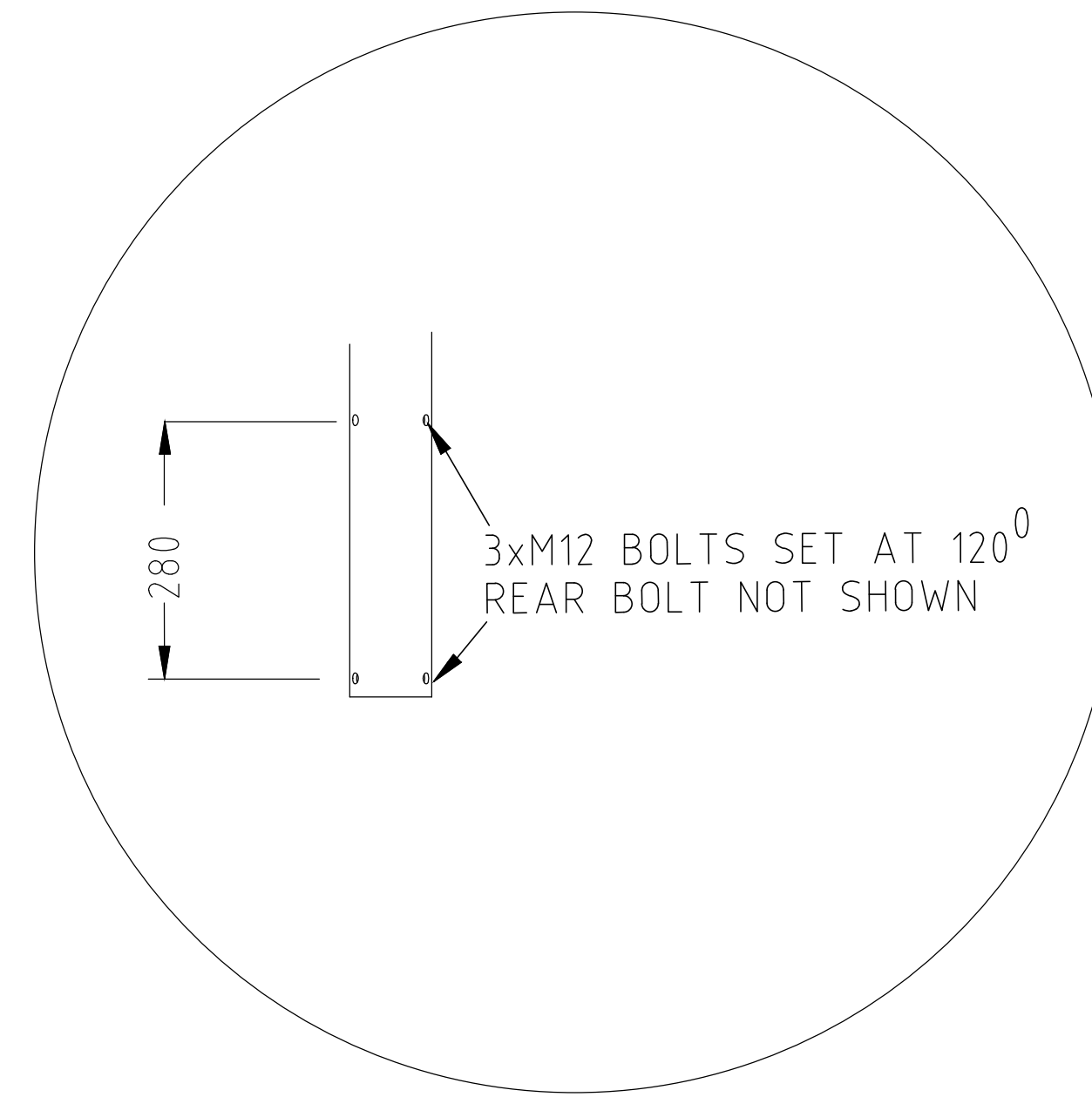


NOTES:

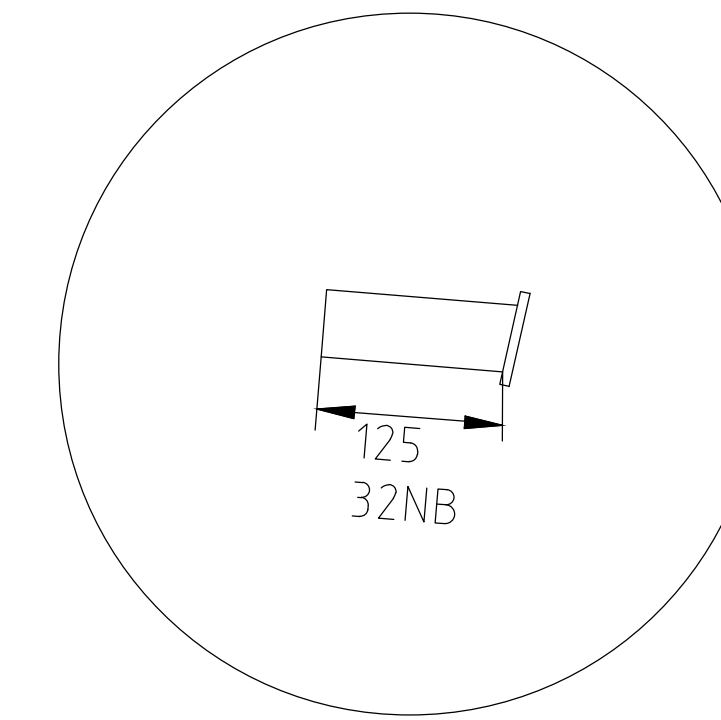
1. ALL DIMENSIONS SHOWN ARE IN mm.
2. COLUMN DESIGN TO COMPLY WITH AS1170 & AS1798.
3. ALL WELDING TO COMPLY WITH AS1554.
4. GALVANIZING TO CONFIRM TO AS/NZS 4680.
5. PAINT FINISH TO AS3887 CATEGORY LONG TERM.



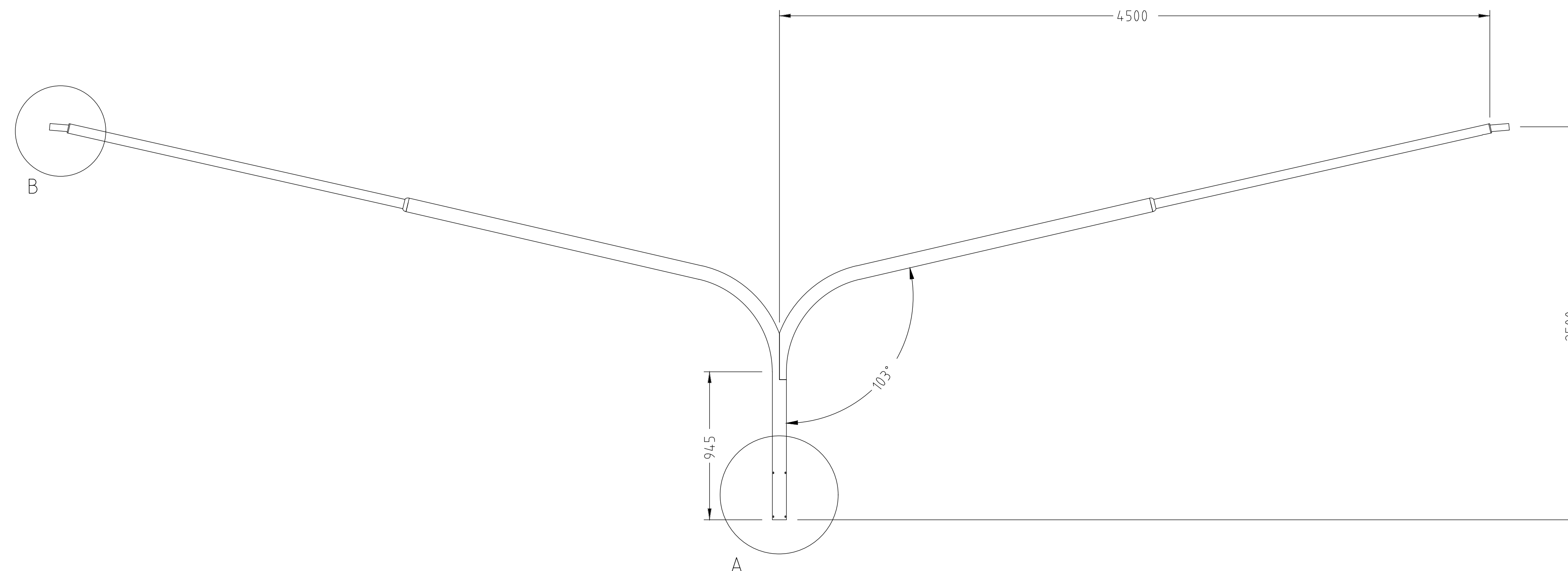
ISO VIEW



DETAIL A



DETAIL B



SIDE ELEVATION



STANDARD DRAWING

4.5m DUAL OUTREACH ARM

DRAWING NOT TO SCALE - N.T.S.

Authorised:

Latest Revision Details

Rev	Amendment	Date
0	BASED ON DRG 0512-04-15	21/12/21
Drawing No. ACTSD-4165		Revision 0