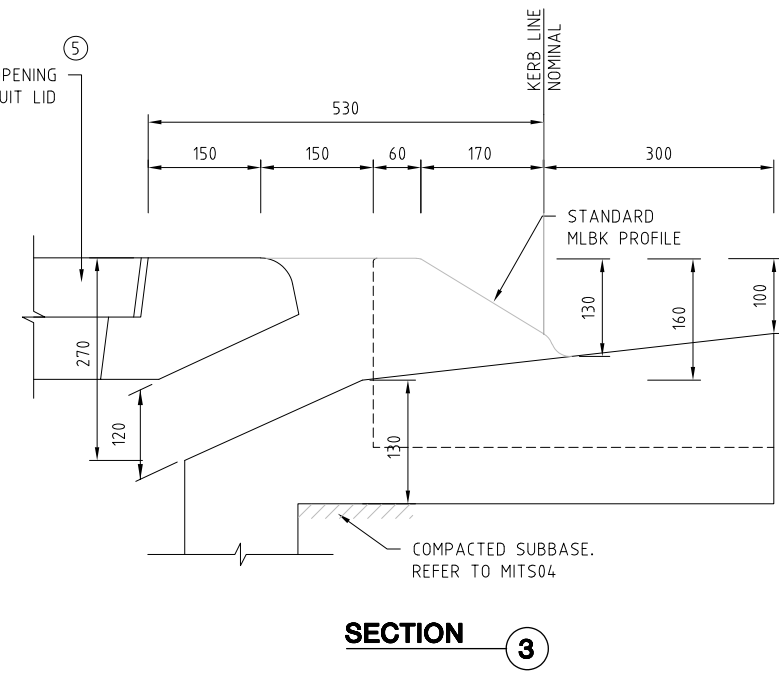
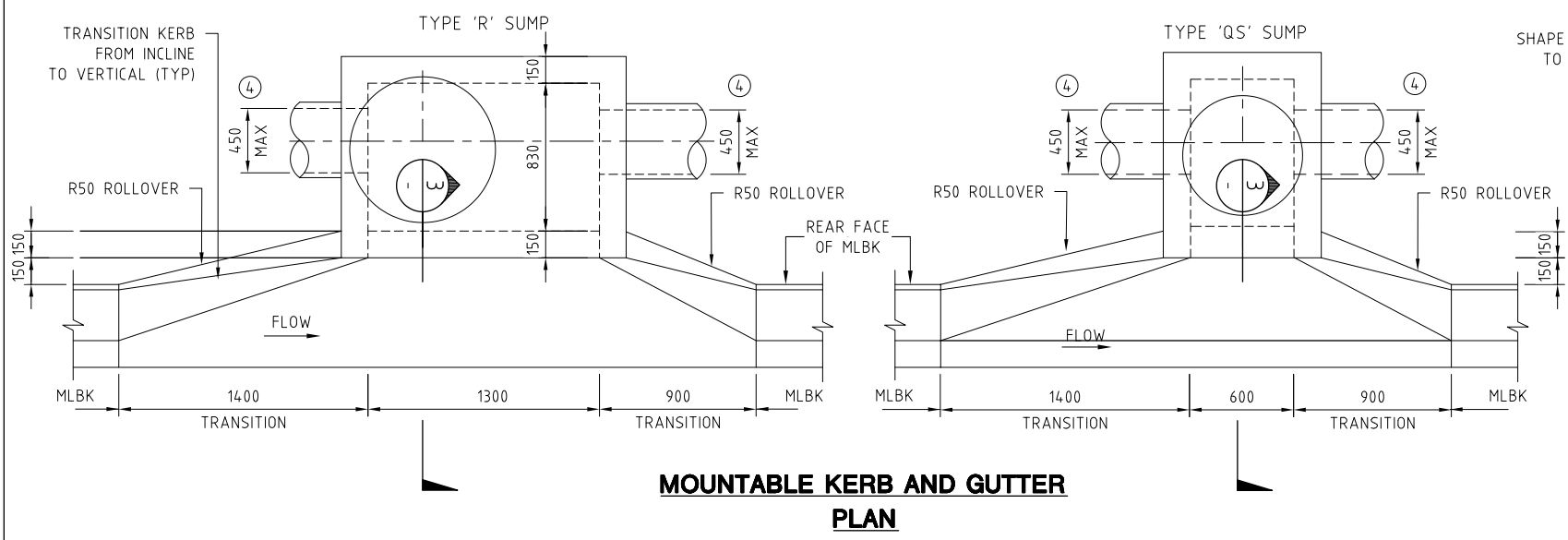
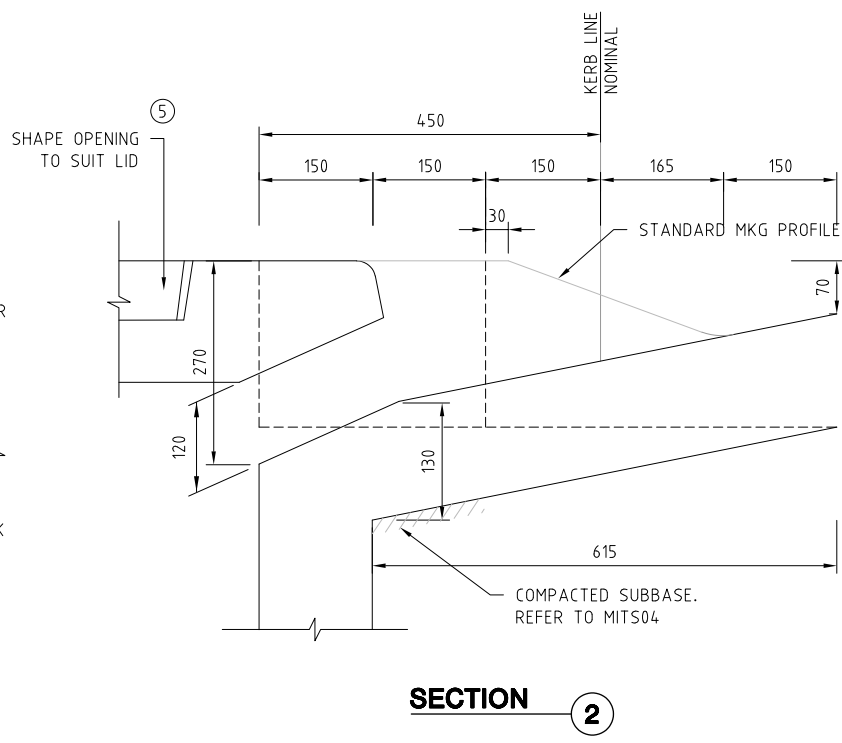
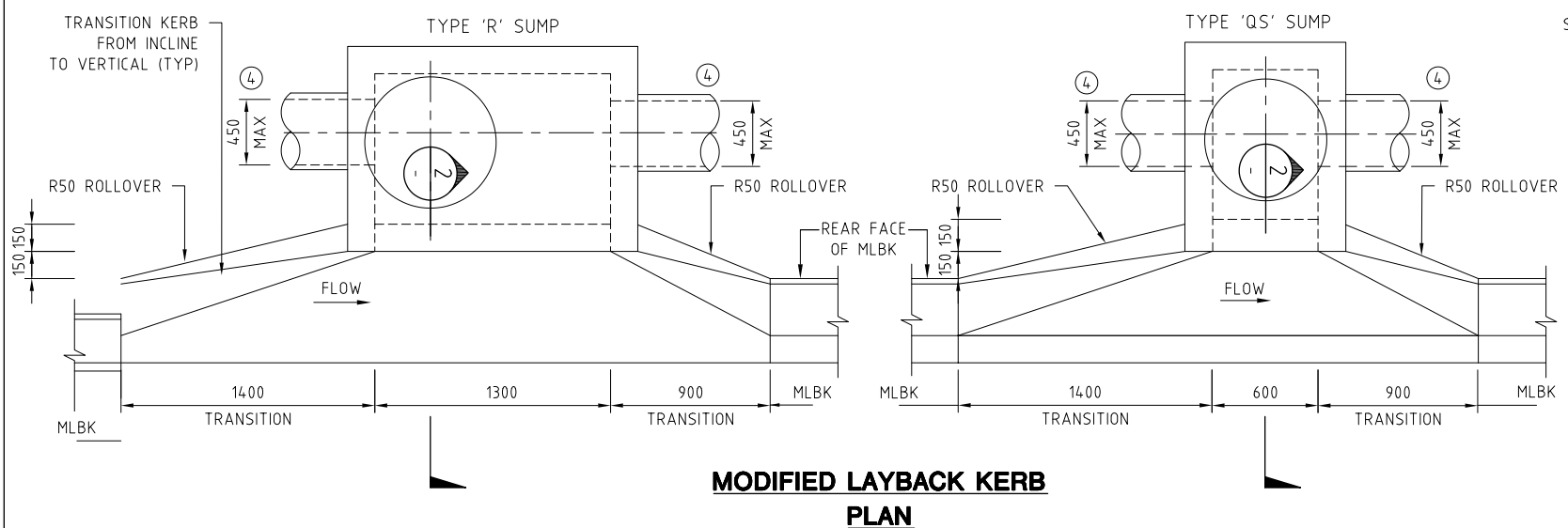


- NOTES:**
1. REFER TO DRAWING ACTSD-0000 FOR GENERAL NOTES.
 2. PROVIDE 1500 TRANSITION TO 200 HIGH KERB.
 3. PROVIDE 1000 TRANSITION TO 200 HIGH KERB.
 4. 450ND MAXIMUM PIPE SIZE WHERE PIPE IS 600 BEHIND KERB.
 5. REFER TO DRAWING ACTSD-0822 FOR NOSING COVER DETAIL.



ACT Government

STANDARD DRAWING

TYPE R & QS SUMP INLETS

NOT TO SCALE

Authorised: *[Signature]*

Latest Revision Details

0	BASED ON DRG ST-0011	14/01/19
Rev	Amendment	Date
Drawing No.	Revision	
ACTSD-0820	0	