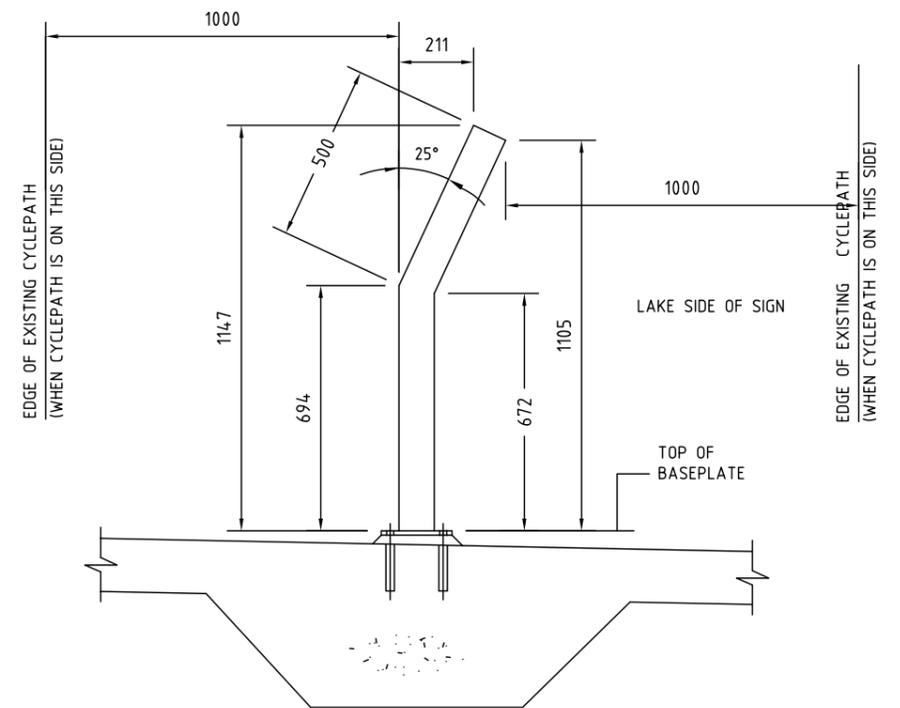


**ELEVATION**

1:20



**ELEVATION**

1:20



**ACT**  
Government

**STANDARD DRAWING**

**SIGNAGE  
STANDARD DETAIL  
SHEET 7**

Authorised:

Latest Revision Details

0	FIRST ISSUE	25-2-19
Rev	Amendment	Date

Drawing No. **ACTSD-2515** Revision **0**