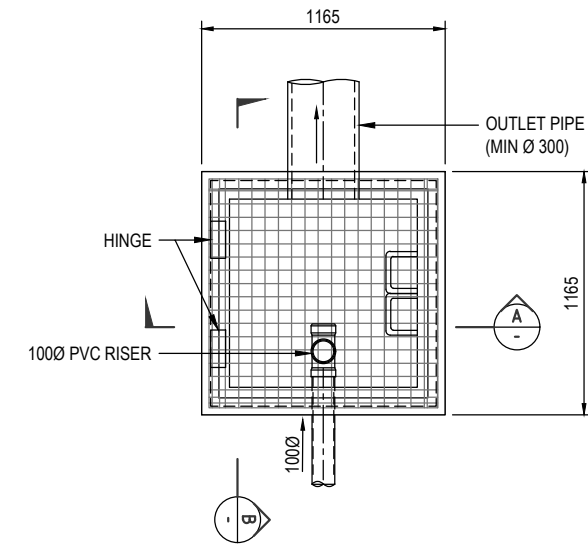


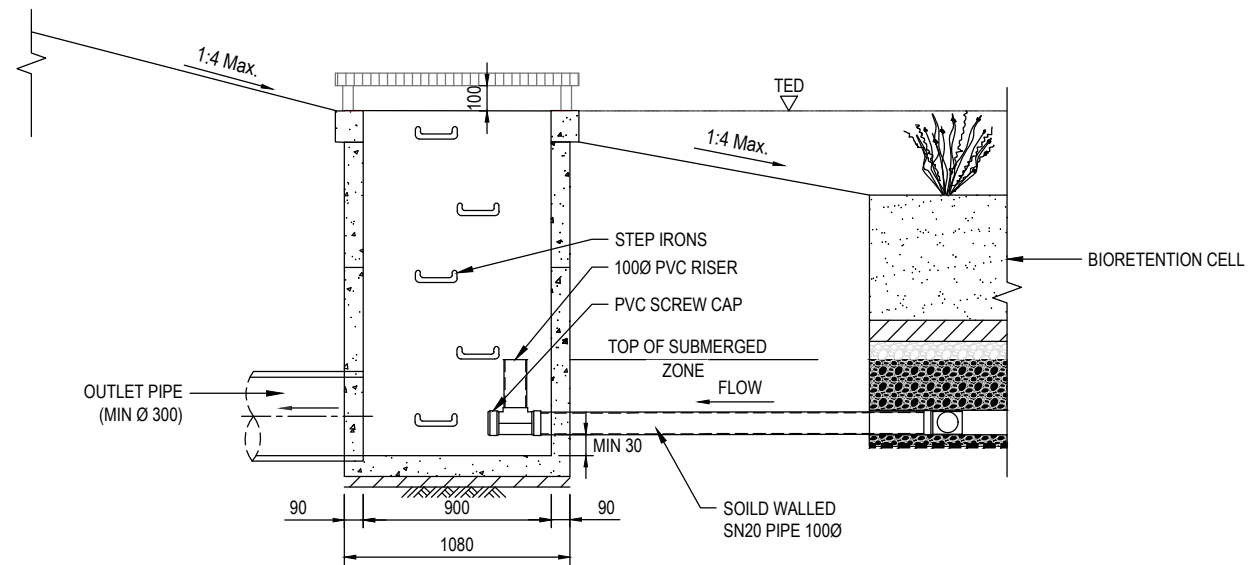
TYPICAL SECTION A




TYPICAL PLAN

NOTES:

1. MINIMUM CONCRETE COMPRESSIVE STRENGTH SHALL BE 32MPa.
2. THE INVERTS OF ALL STORMWATER STRUCTURES SHALL BE GRADED 30mm MINIMUM TOWARDS THE OUTLET.
3. STRUCTURES OF GREATER DEPTHS THAN 850mm SHALL BE FITTED WITH GALVANISED STEP IRONS.



TYPICAL SECTION B

 <b>ACT</b> Government		
<b>STANDARD DRAWING</b>		
<b>BIORETENTION OUTLET PIT</b>		
NOT TO SCALE		
Authorised:		
Latest Revision Details		
0	NEW STANDARD DRAWING	24/06/21
Rev	Amendment	Date
Drawing No. ACTSD-0840		Revision 0