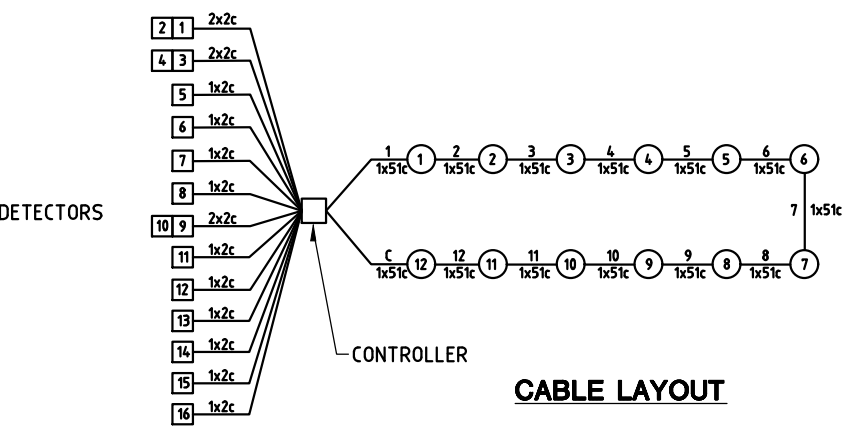
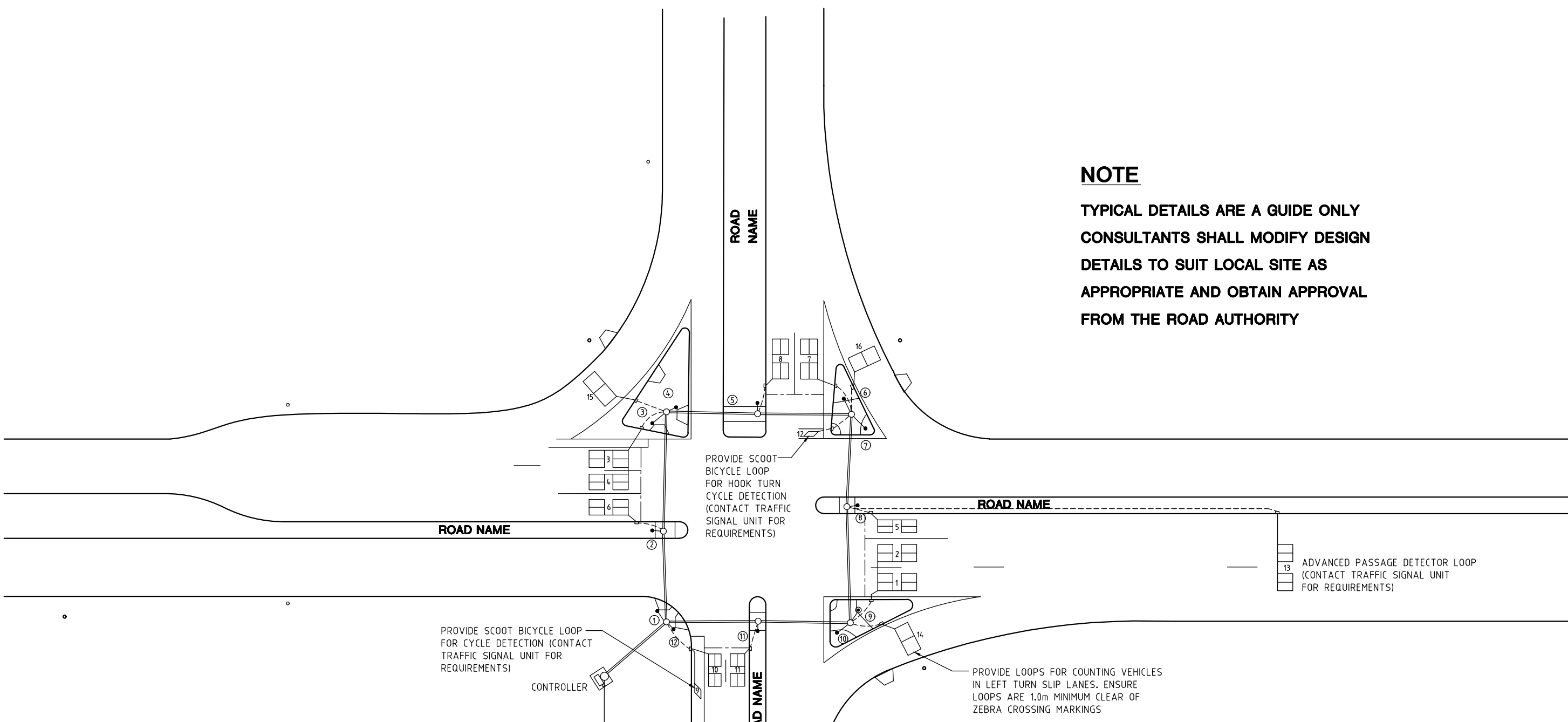


NOTE

TYPICAL DETAILS ARE A GUIDE ONLY
 CONSULTANTS SHALL MODIFY DESIGN
 DETAILS TO SUIT LOCAL SITE AS
 APPROPRIATE AND OBTAIN APPROVAL
 FROM THE ROAD AUTHORITY




NOTES

- SETTING OUT DIMENSIONS FOR ALL TRAFFIC SIGNAL POSTS MUST BE PROVIDED ON THIS DRAWING.
- REFER ACTSD-3911 FOR LOOP DETAILS.
- CONDUITS SHALL BE PLACED CLEAR OF TRAFFIC LOOPS

LEGEND:

- TRAFFIC SIGNAL POST
- ⊙ JOINT USE POST
- JUNCTION BOX ROUND (JBR)
- JC-1 PIT BOX
- CONDUIT 2x 14.0mmØ OD
- 1x100mmØ OD
- 1x100mmØ OD
- - - -> 1x50mmØ OD



ACT
Government

STANDARD DRAWING

**TRAFFIC SIGNALS
CABLE AND LOOP
LAYOUT**

Authorised: *[Signature]*

Latest Revision Details

0	BASED ON DRG DS9-21	20-12-18
Rev	Amendment	Date
Drawing No. ACTSD-3901		Revision 0