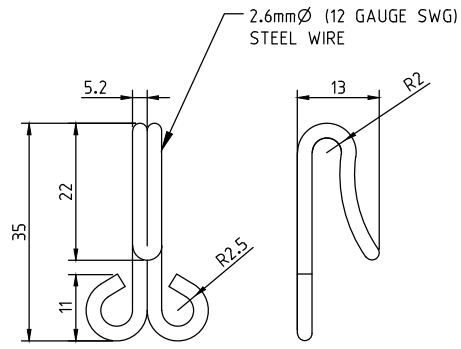


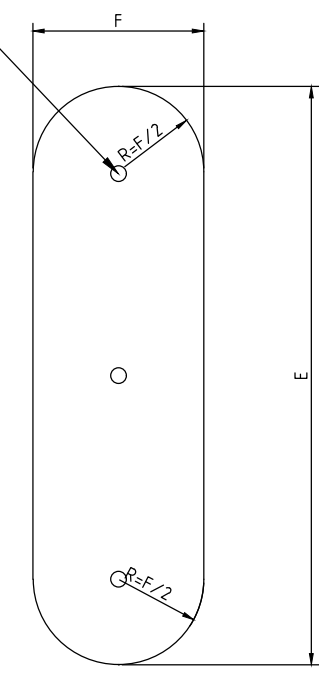
NOTES

- 1 THE MATERIAL FOR THE COVER SHALL BE 840 DENIER NYLON WEAVE COATED WITH PVC OR IT'S APPROVED EQUIVALENT. THE COVER SHALL HAVE THE FOLLOWING PROPERTIES:
 - COLOUR CODE Y14, GOLDEN YELLOW, IN ACCORDANCE WITH AS2700
 - WING RIP TEST: MIN 200N HORIZONTALLY AND VERTICALLY WHEN TESTED IN ACCORDANCE WITH AS2001.2.10.2016
 - COATING ADHESION: MIN 70N/50mm WHEN TESTED IN ACCORDANCE WITH AS4878.8.2001
 - FLAMMABILITY: SELF EXTINGUISHING
 - PRODUCT WEIGHT: 670g/m²
 - COATING WEIGHT: 320g/m² (FACE)
 - COATING WEIGHT: 150g/m² (BACK)
- 2 ALL CUT EDGES TO BE INSIDE AND ALL JOINTS TO BE STITCHED WITH HEAVY NYLON THREAD
- 3 STIFFENING BOARD RETAINING POCKET AND STRAP TO HAVE PVC COATED NYLON BIAS BRAID BINDING
- 4 STIFFENING BOARD TO BE FITTED TO EACH COVER BEFORE DELIVERY
- 5 MANUFACTURERS IDENTIFICATION AND THE DATE OF MANUFACTURE SHALL BE LEGIBLY AND DURABLY MARKED ON THE INSIDE OF THE COVER

| LANTERN COVER DIMENSION TABLE | | | | | | |
|-------------------------------|------|-----|-----|-----|------|-----|
| LANTERN SIZE | A | B | C | D | E | F |
| 200mm | 775 | 215 | 236 | 75 | 765 | 226 |
| 300mm | 1070 | 310 | 325 | 100 | 1060 | 315 |



DETAIL A GALVANISED STEEL HOOKS



STIFFENING BOARD
MATERIAL: 6mm THICK A GRADE MARINE PLYWOOD STIFFENING BOARD

ACT Government

STANDARD DRAWING

TRAFFIC SIGNALS

OUT-OF-SERVICE/ TESTING

LANTERN COVER

Authorised: *[Signature]*

| Latest Revision Details | | |
|-------------------------|-------------|----------|
| Rev | Amendment | Date |
| 0 | FIRST ISSUE | 19-12-18 |

Drawing No. **ACTSD-3916** Revision **0**