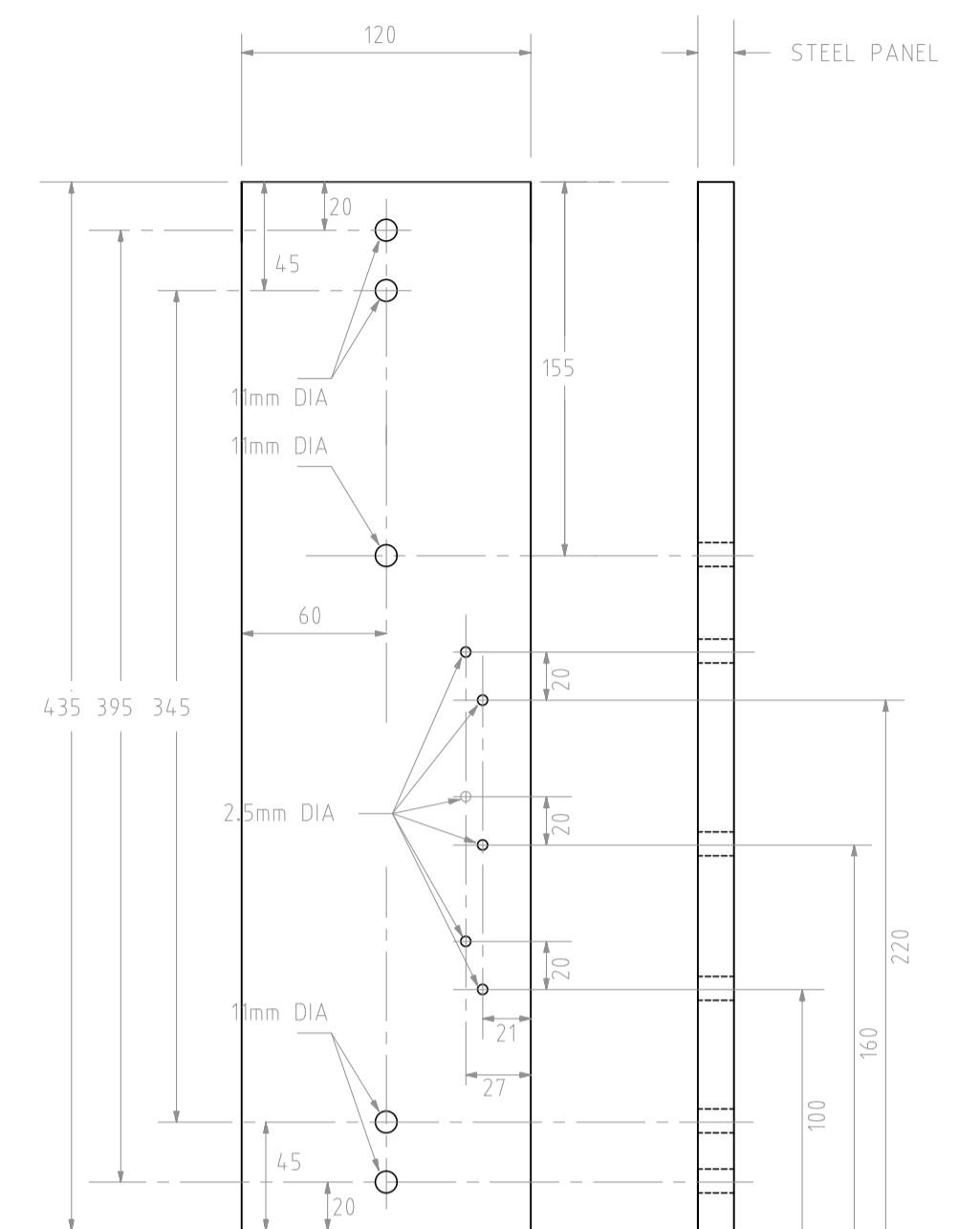
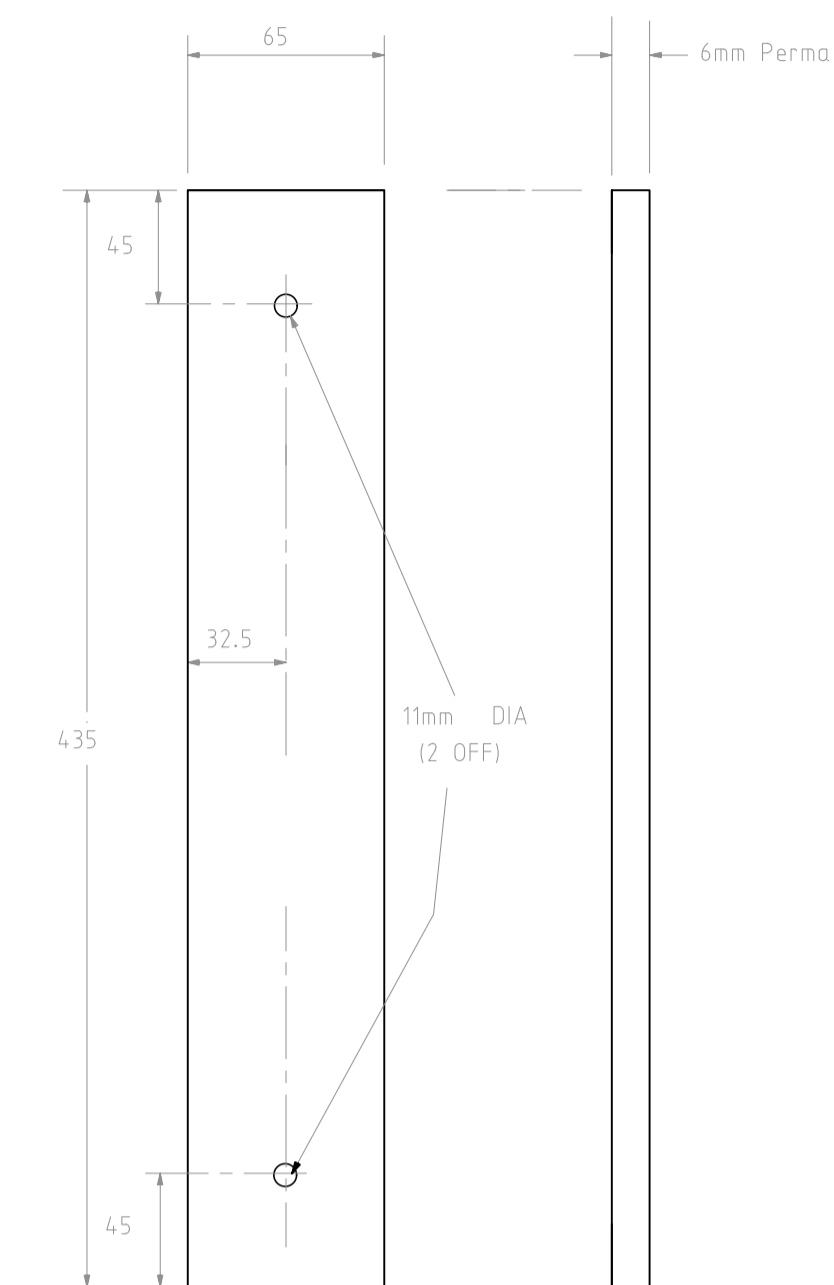


**NOTES:**

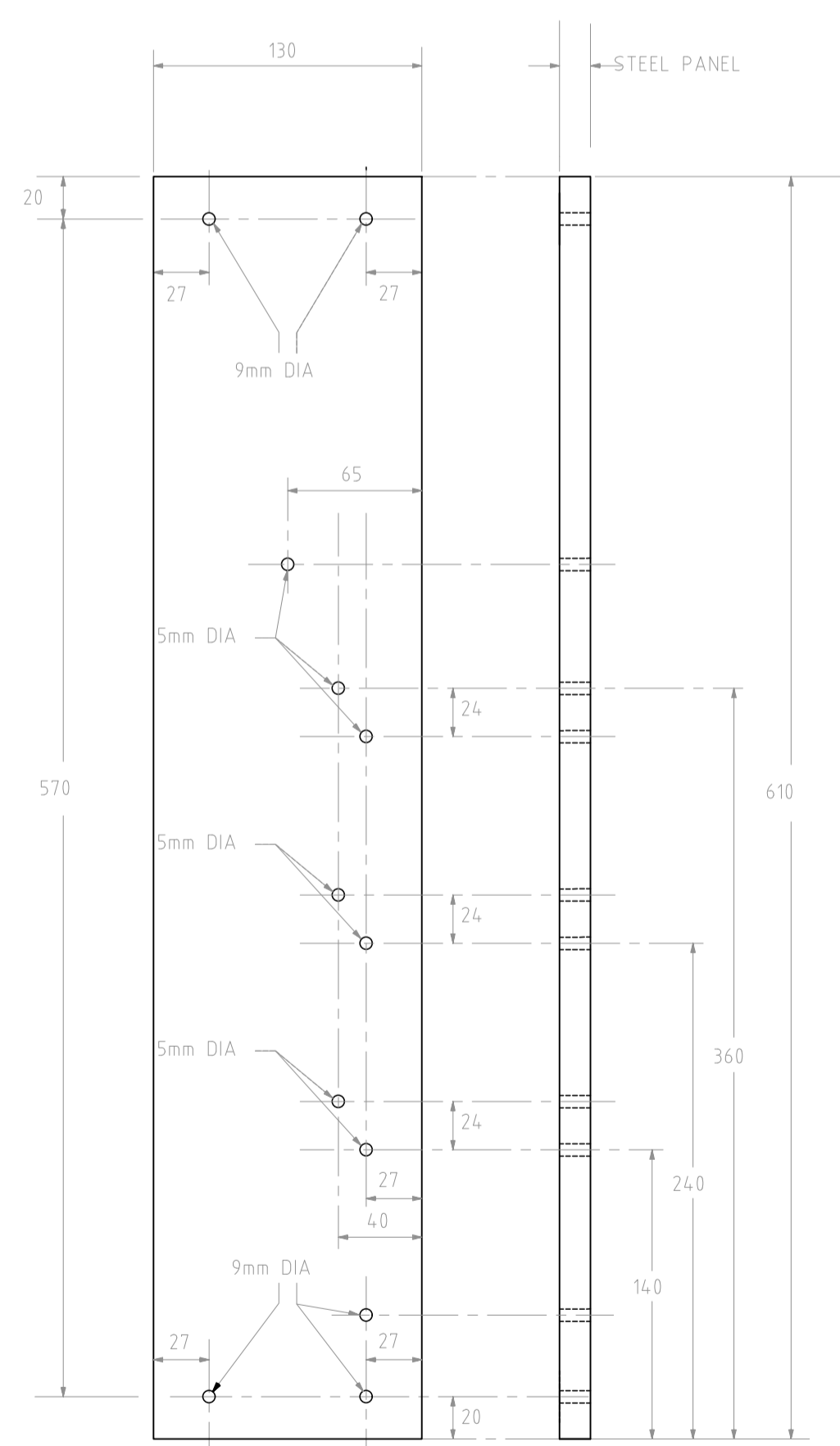
1. PANELS TO BE MADE FROM 2mm GALVANISED STEEL.
2. ALL DIMENSIONS IN mm UNLESS OTHERWISE STATED.



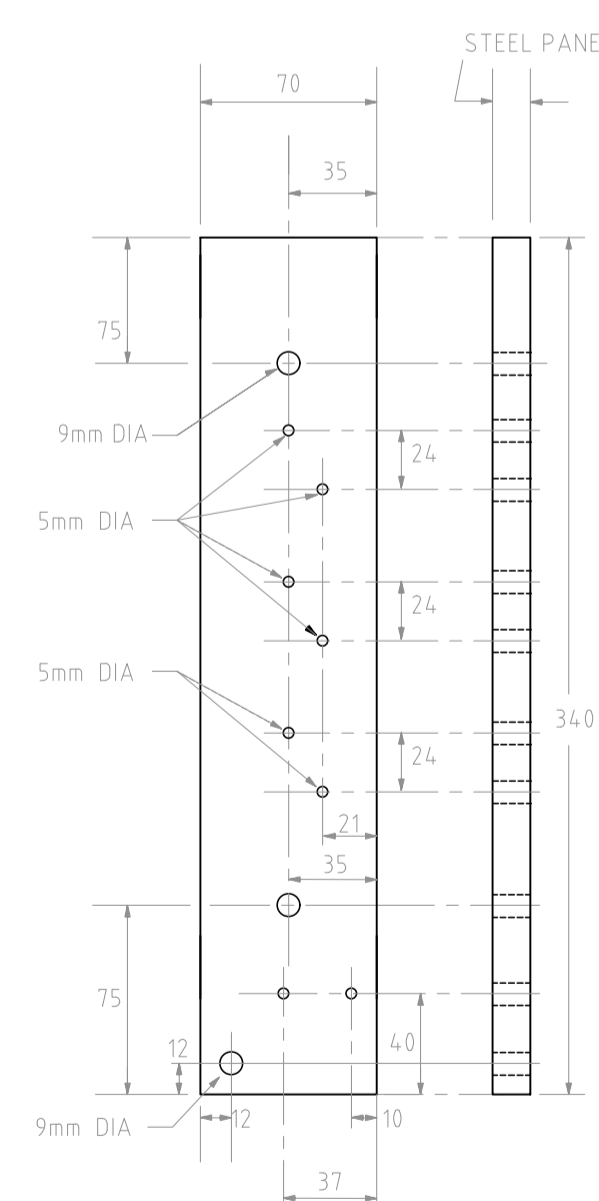
**INTERMEDIATE S/L PANEL FOR 3.5m POST TOP COLUMNS**



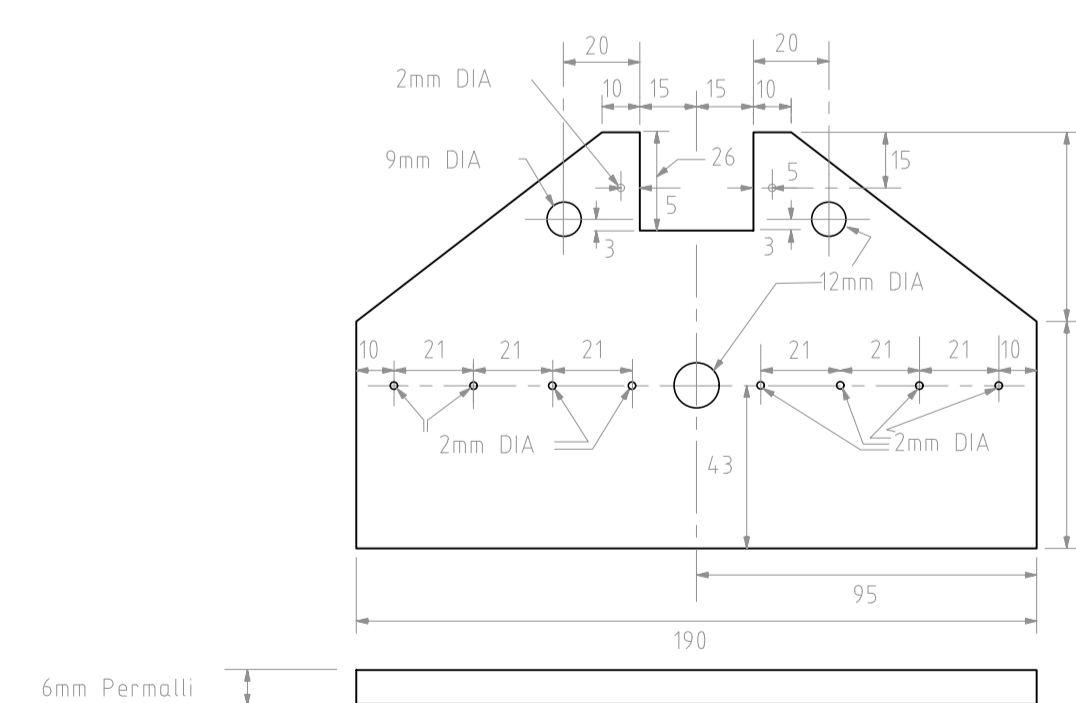
**KIM LIGHTING PANEL FOR 4.8m & 6.0m COLUMNS**



**MAJOR S/L PANEL  
9, 10.5 & 12m COLUMNS**



**MINOR S/L PANEL FOR 6.5m COLUMNS**



**PANEL BASE FOR SLIP BASE COLUMNS**



**STANDARD DRAWING**

**BLANK PANELS FOR STREETLIGHT COLUMNS**

DRAWING NOT TO SCALE - N.T.S.

Authorised:

Latest Revision Details

Rev	Amendment	Date
0	BASED ON DRG 0512-01-01	21/12/21
Drawing No. <b>ACTSD-4001</b>		Revision <b>0</b>