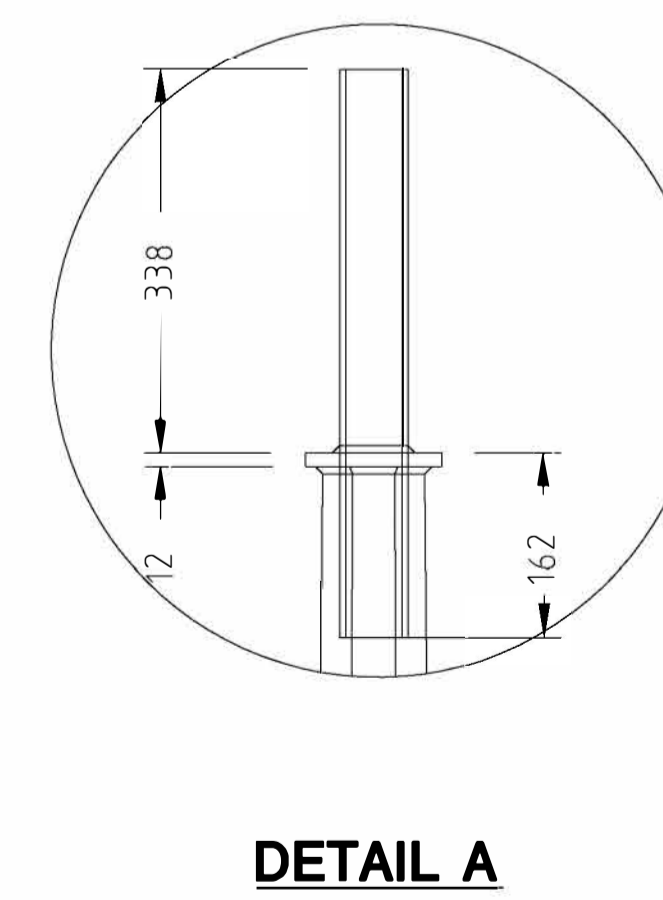
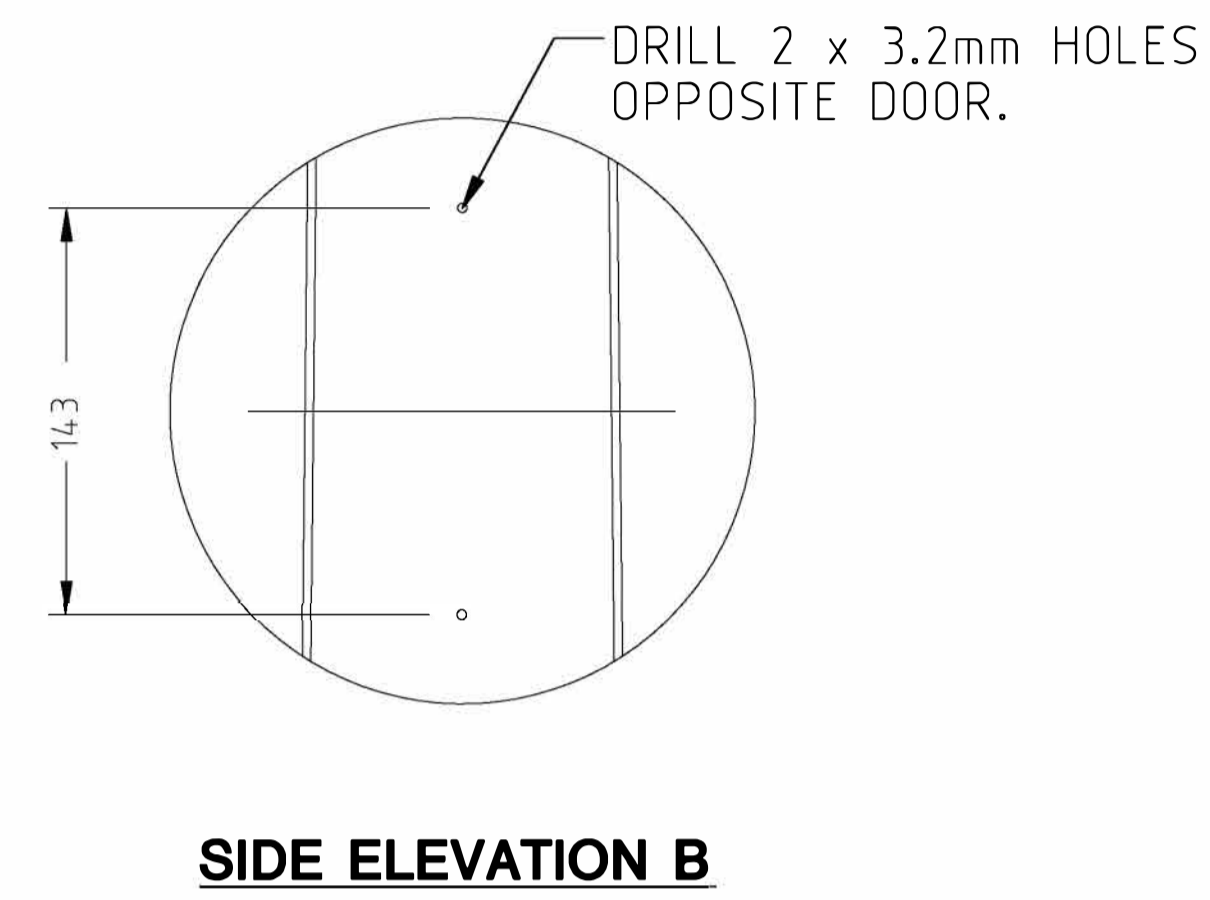
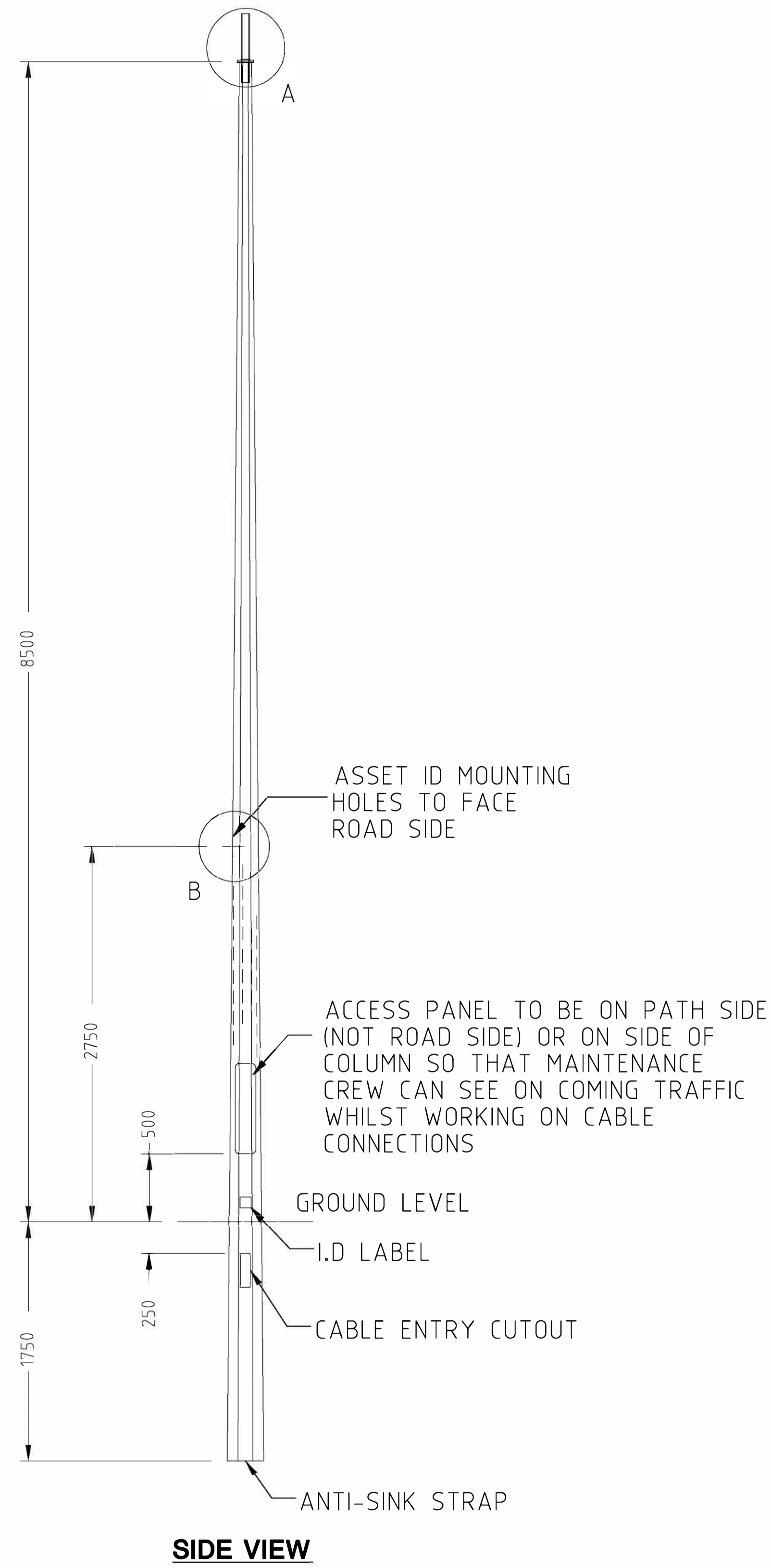
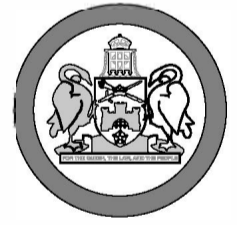


NOTES:

1. ALL DIMENSIONS SHOWN ARE IN mm.
2. COLUMN DESIGN TO COMPLY WITH AS 1170 & AS 1798.
3. ALL WELDING TO COMPLY WITH AS 1554.
4. GALVANIZING TO CONFIRM TO AS/NZS 4680.
5. PAINT FINISH TO AS 3887 CATEGORY LONG TERM.



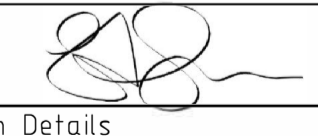


ACT
Government

STANDARD DRAWING

10.5m IMPACT ABSORBING COLUMN DIRECT BURIED

DRAWING NOT TO SCALE - N.T.S.

Authorised: 

Latest Revision Details		
0	BASED ON DRG DS12-03-09	21/12/21
Rev	Amendment	Date
Drawing No.		Revision
ACTSD-4109		0