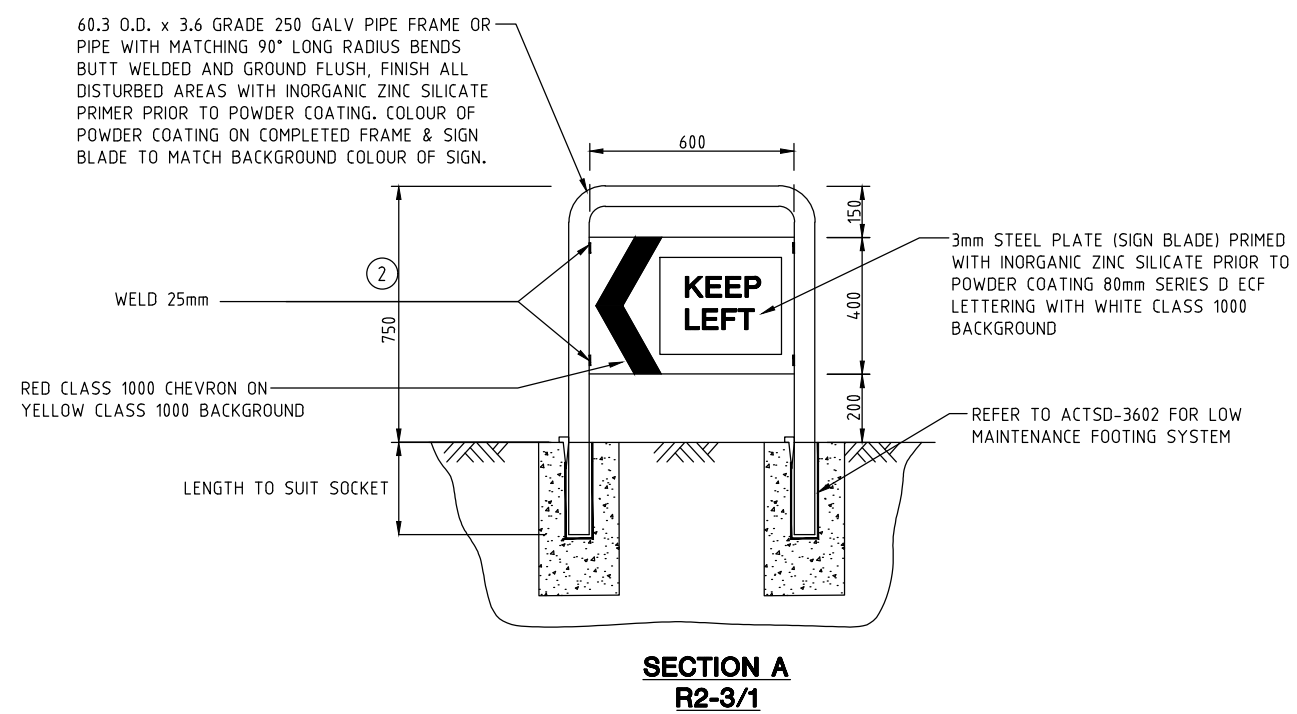
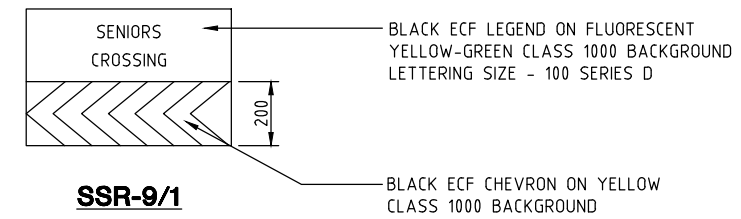
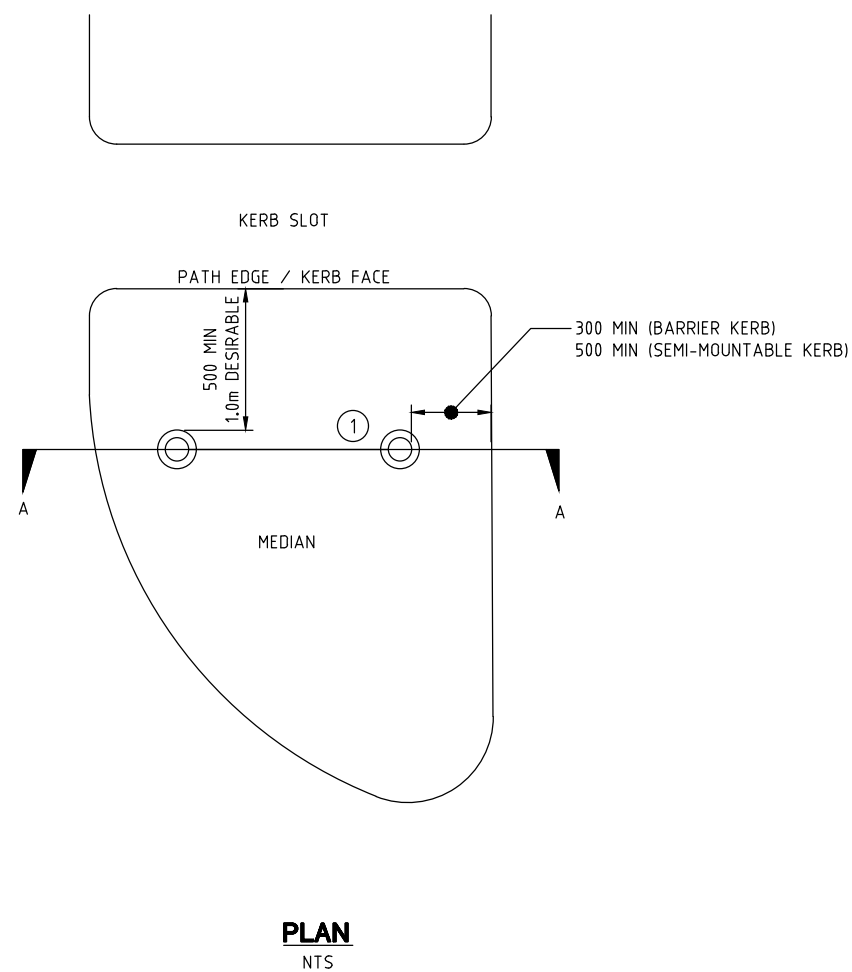


NOTES

- ① WHERE POSSIBLE SIGNS SHOULD BE LOCATED CENTRALLY ON THE ISLAND. HOWEVER MAY BE OFFSET IF REQUIRED DUE TO LARGE VEHICLE SWEEP PATHS
- ② HEIGHT ABOVE WALKING PAVEMENT TO BE REDUCED TO 700mm AROUND SCHOOLS.
- 3 ALL DIMENSIONS SHOWN ARE IN mm UNLESS SHOWN OTHERWISE.





ACT
Government

STANDARD DRAWING

REFUGE ISLAND
SIGN DETAILS

Authorised: *[Signature]*

Latest Revision Details

0	BASED ON DRG DS9-13	19-12-18
Rev	Amendment	Date
Drawing No. ACTSD-3611		Revision 0