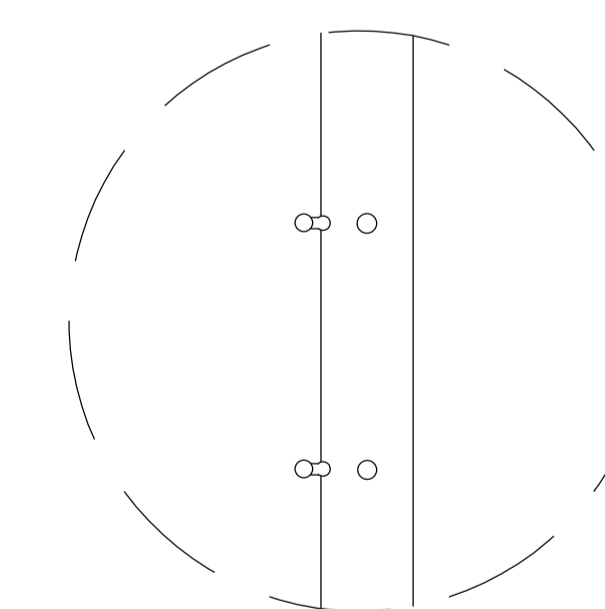
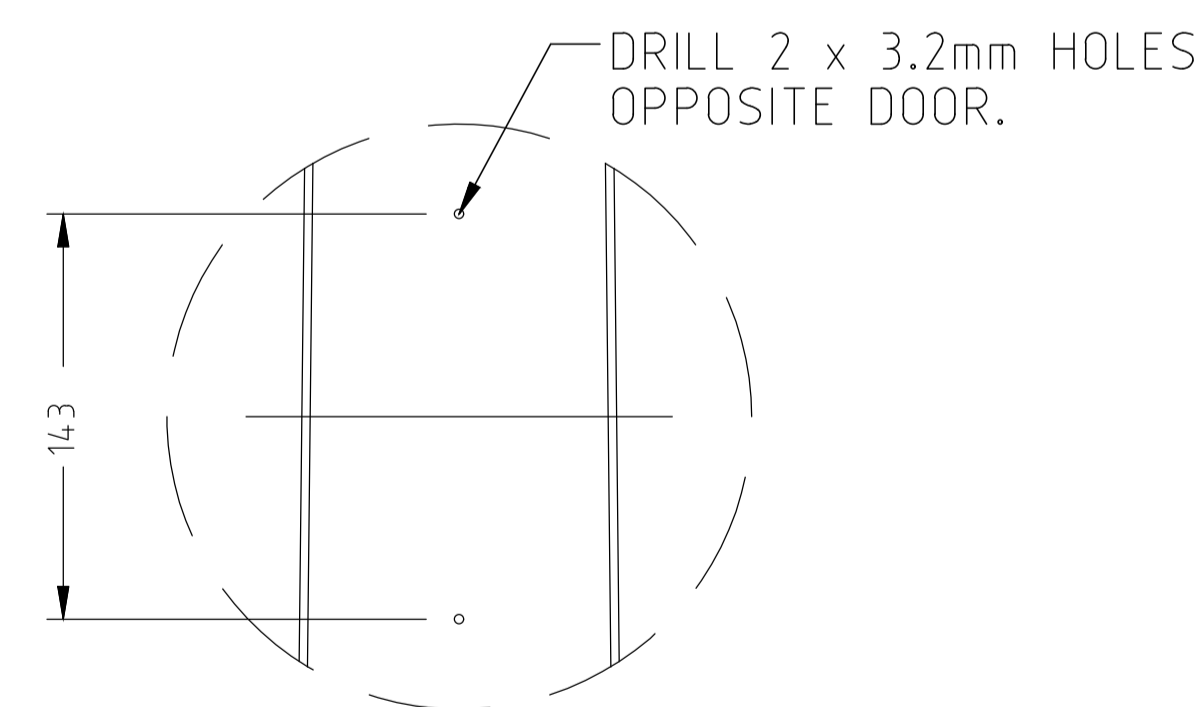
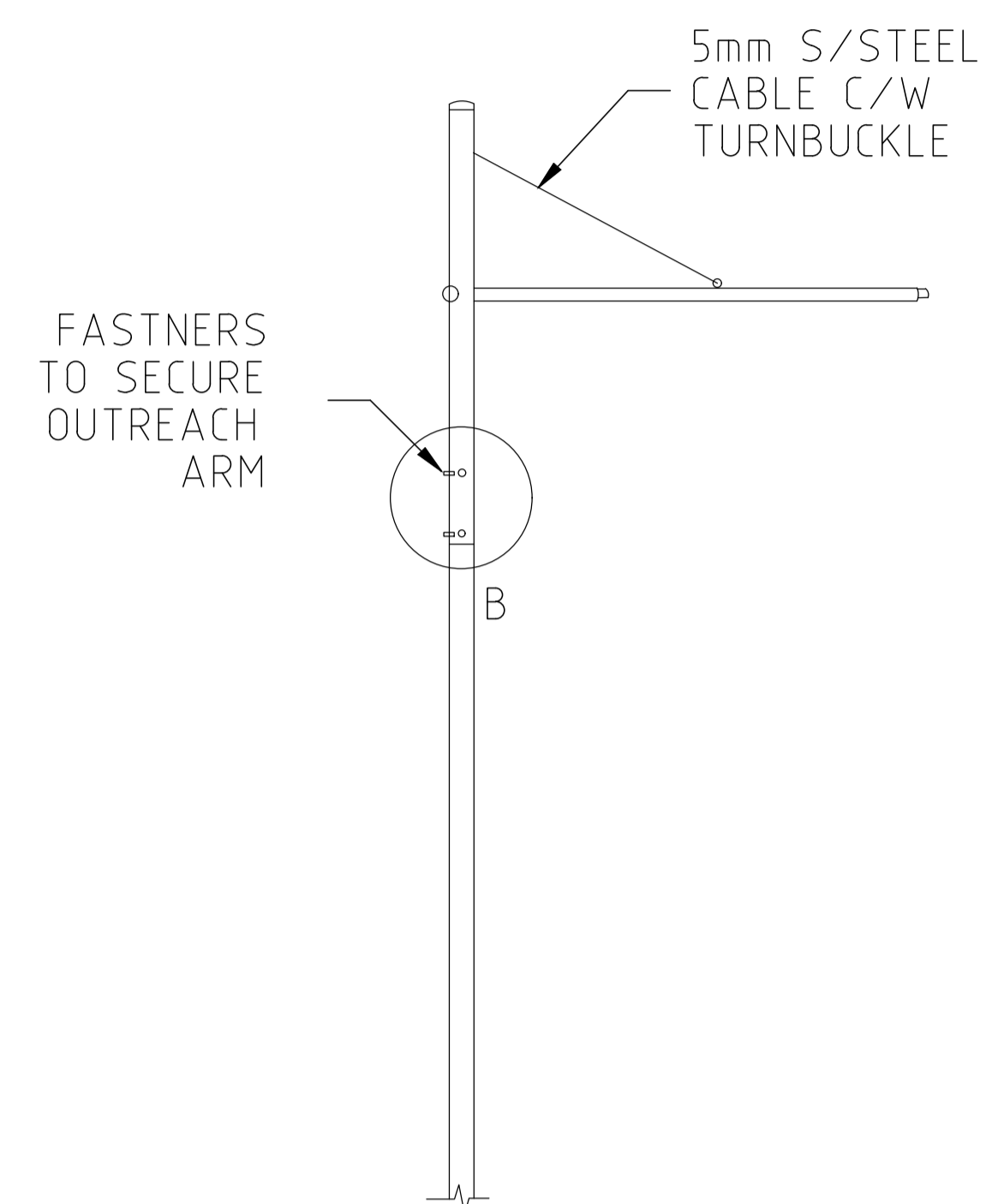
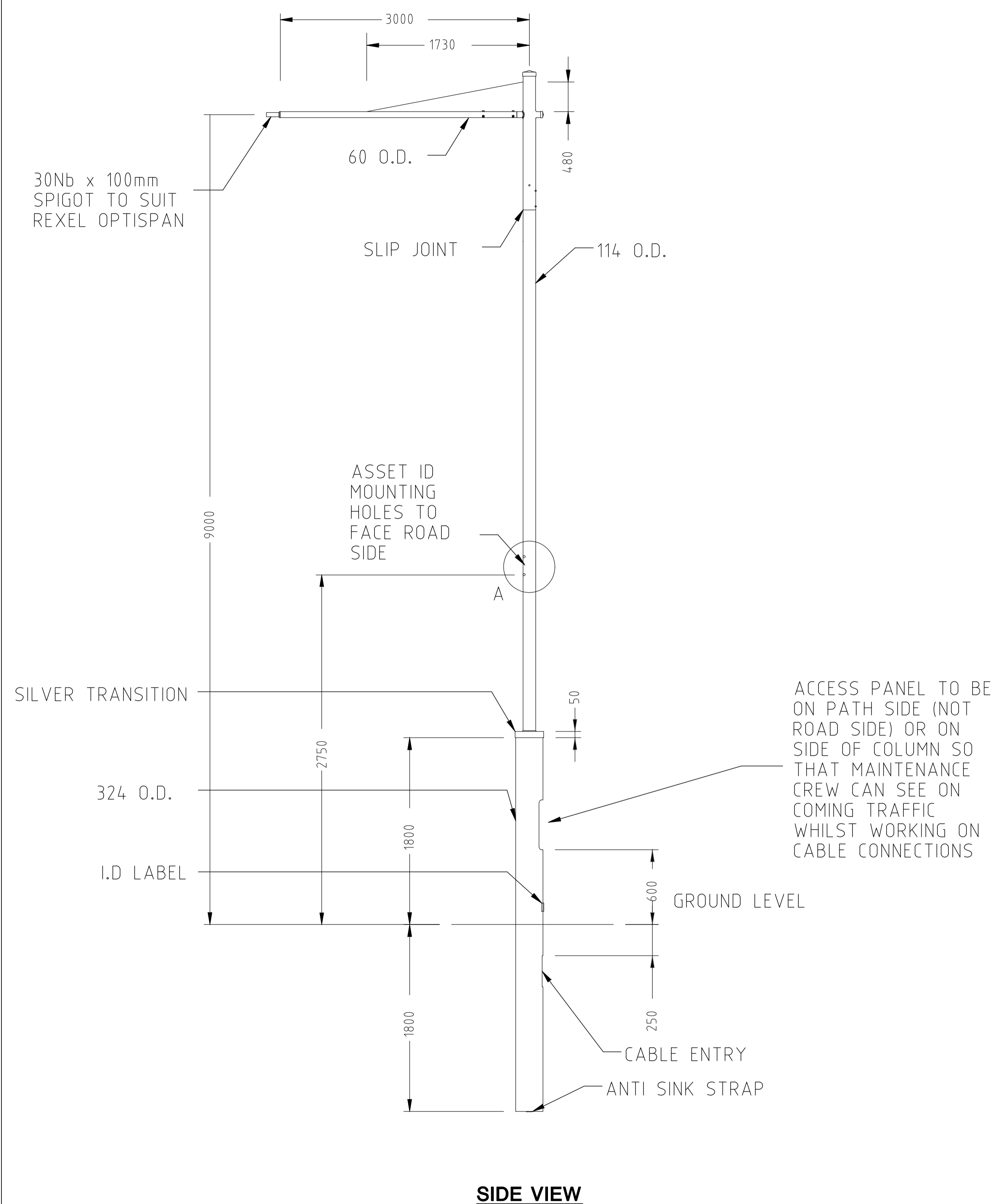




**NOTES:**

1. ALL DIMENSIONS SHOWN ARE IN mm.
2. COLUMN DESIGN TO COMPLY WITH AS 1170 & AS 1798.
3. ALL WELDING TO COMPLY WITH AS 1554.
4. GALVANIZING TO CONFIRM TO AS/NZS 4680.
5. PAINT FINISH TO AS 3887 CATEGORY LONG TERM.



 <b>ACT</b> Government	
<b>STANDARD DRAWING</b> <b>9.0m SINGLE 3.0m FORDE DECORATIVE COLUMN DIRECT BURIED</b>	
DRAWING NOT TO SCALE - N.T.S.	
Authorised: 	
Latest Revision Details	
0	BASED ON DRG 0512-03-22
21/12/21	Date
Rev	Amendment
Drawing No.	Revision
<b>ACTSD-4122</b>	<b>0</b>

COLOUR: CHARCOAL GREY 32999 c/w SILVER TRANS