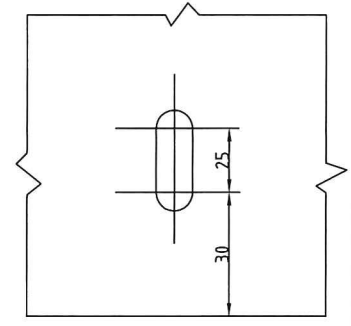


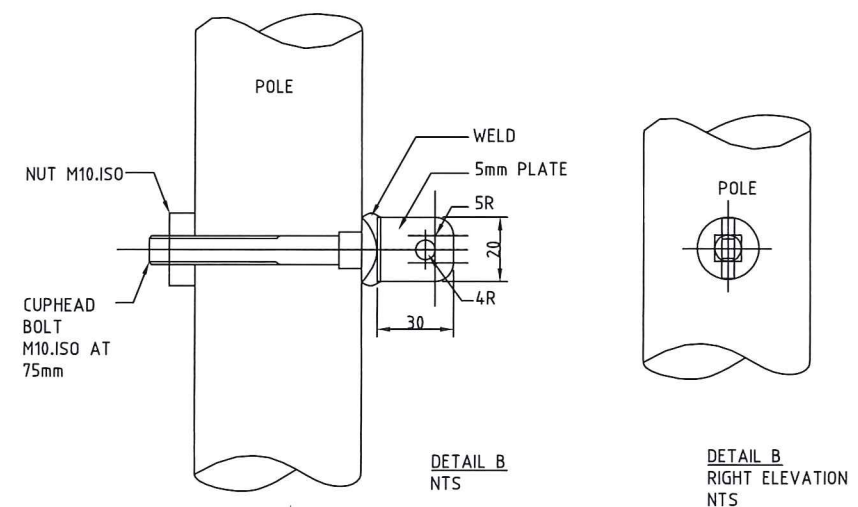
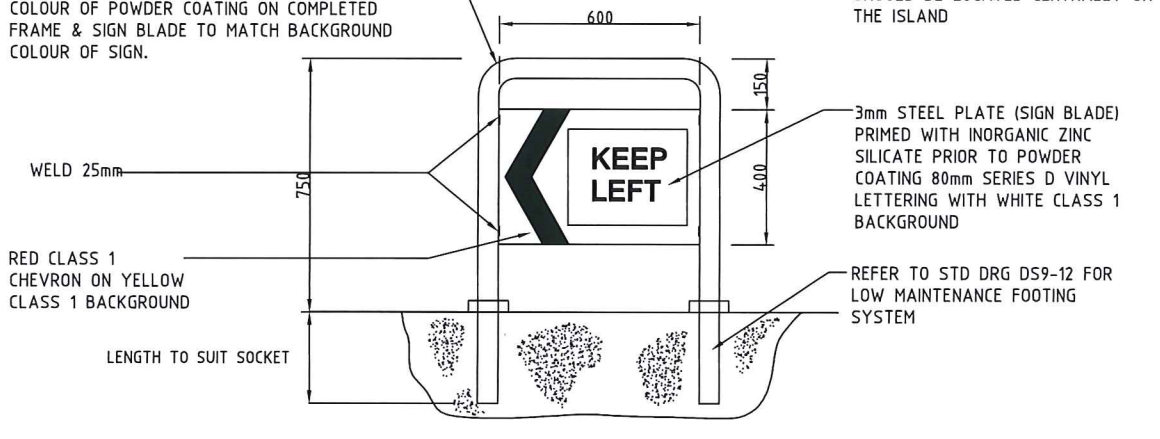
MODIFIED E SERIES LETTERS		
LEGEND	A SIZE	B SIZE
8.00am	85mm	100mm
TO	50mm	80mm
4.00pm	85mm	100mm
Mon-Fri	50mm	80mm



NOTE: PADLOCK TO BE SUPPLIED BY THE ROAD AUTHORITY

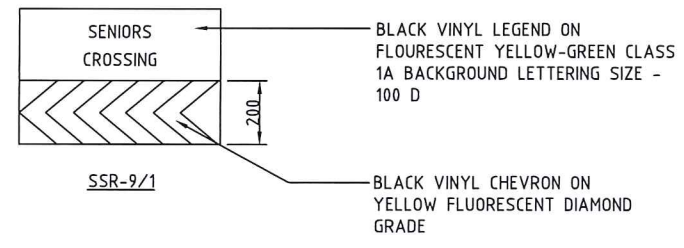
60.3 O.D. x 3.6mm GRADE 250 GALV PIPE FRAME OR PIPE WITH MATCHING 90° LONG RADIUS BENDS BUTT WELDED AND GROUND FLUSH, FINISH ALL DISTURBED AREAS WITH INORGANIC ZINC SILICATE PRIMER PRIOR TO POWDER COATING. COLOUR OF POWDER COATING ON COMPLETED FRAME & SIGN BLADE TO MATCH BACKGROUND COLOUR OF SIGN.

WHERE POSSIBLE THESE SIGNS SHOULD BE LOCATED CENTRALLY ON THE ISLAND



NOTE - ALL DIMENSIONS SHOWN ARE IN mm UNLESS SHOWN OTHERWISE

- BOLT AND BRACKET TO BE HOT DIP GALV OR AUTHENTIC STAINLESS STEEL
- IF GALV MATERIAL IS USED THEN ALL INTERNAL HOLE DIAMETERS SPECIFIED SHALL BE FINISHED SIZE AFTER HOT DIPPED GALVANIZING



ACT GOVERNMENT

DESIGN STANDARD  
URBAN INFRASTRUCTURE

Authorised:  
DIRECTOR, ROADS ACT  
TONY GILL

Drawn: MARTIN GORDON Date: 23/06/2011

Project Engineer: FRED IHEGIE / SNEZANA DIMITROVSKA Date: 23/06/2011

**SPECIAL SIGNS**

Scale: NTS Date: 23 JUNE 2011

AutoCAD File: DS9-13.DWG

Latest Revision Details: A DS9 UPDATE

Drawing No. DS9-13 Revision A