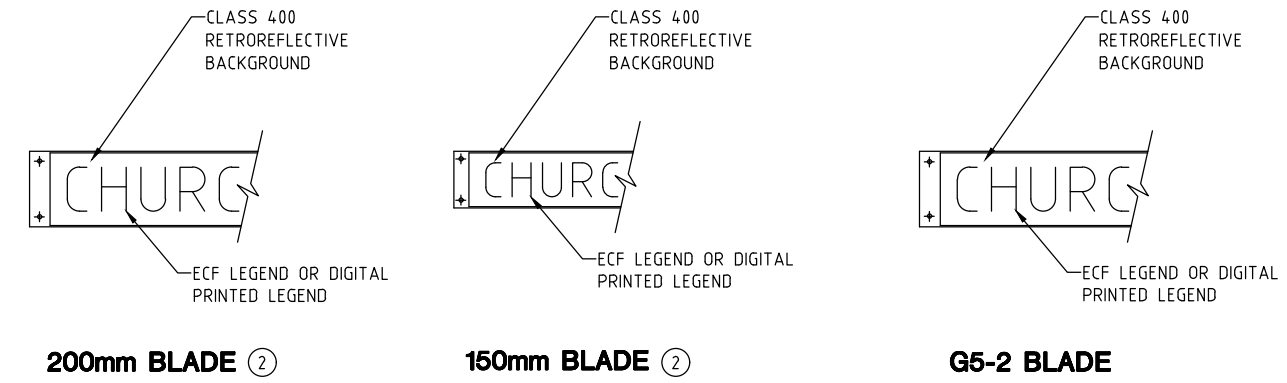


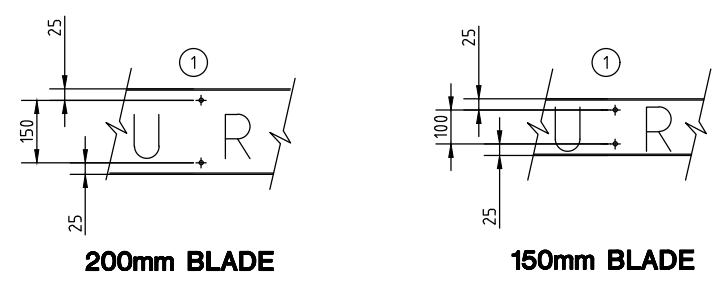
**1. END MOUNTING TO 60.3mm O.D. GAL POSTS**

SCALE 1:10



**2. END MOUNTING TO STEEL COLUMNS ('BAND-IT' FIXING)**

SCALE 1:10



**3. CENTRAL MOUNTING TO STEEL COLUMNS ('BAND-IT' FIXING)**

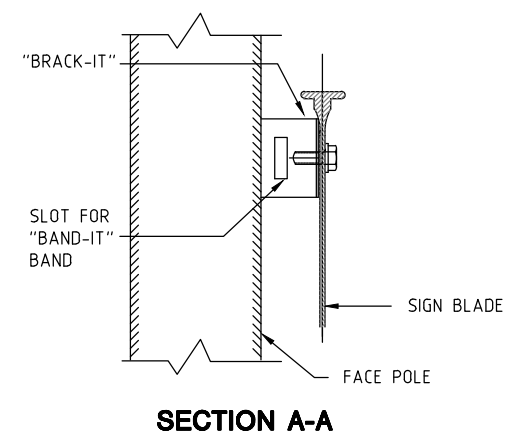
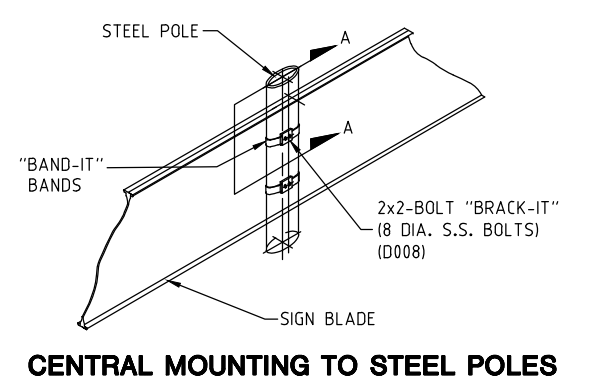
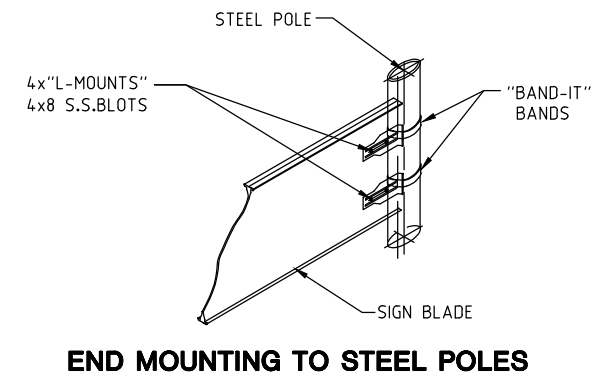
SCALE 1:10

**NOTES**

- ① 11mm DIA. HOLES TO SUIT 10mm DIA. GAL. BOLTS OR 9mm DIA. HOLES TO SUIT 8mm DIA. S.S. BOLTS. HOLES TO BE AT 25mm FROM EDGE TO CENTRE
- ② 200mm HIGH SIGN BLADES SHOULD BE USED ON ROADS WITH A SIGNED SPEED RESTRICTION OF GREATER THAN OR EQUAL TO 70km/h
- 3 ALL DIMENSIONS SHOWN ARE IN mm UNLESS SHOWN OTHERWISE.

**TYPICAL STREET NAME SIGN INSTALLATION DETAIL**

**POST EXTENSION DETAIL**



**'BAND-IT' FIXINGS**



STANDARD DRAWING

**FINGER BOARD SIGN DETAILS**

Authorised: <i>[Signature]</i>		
Latest Revision Details		
0	BASED ON DRG DS9-14	19-12-18
Rev	Amendment	Date
Drawing No. ACTSD-3620		Revision 0