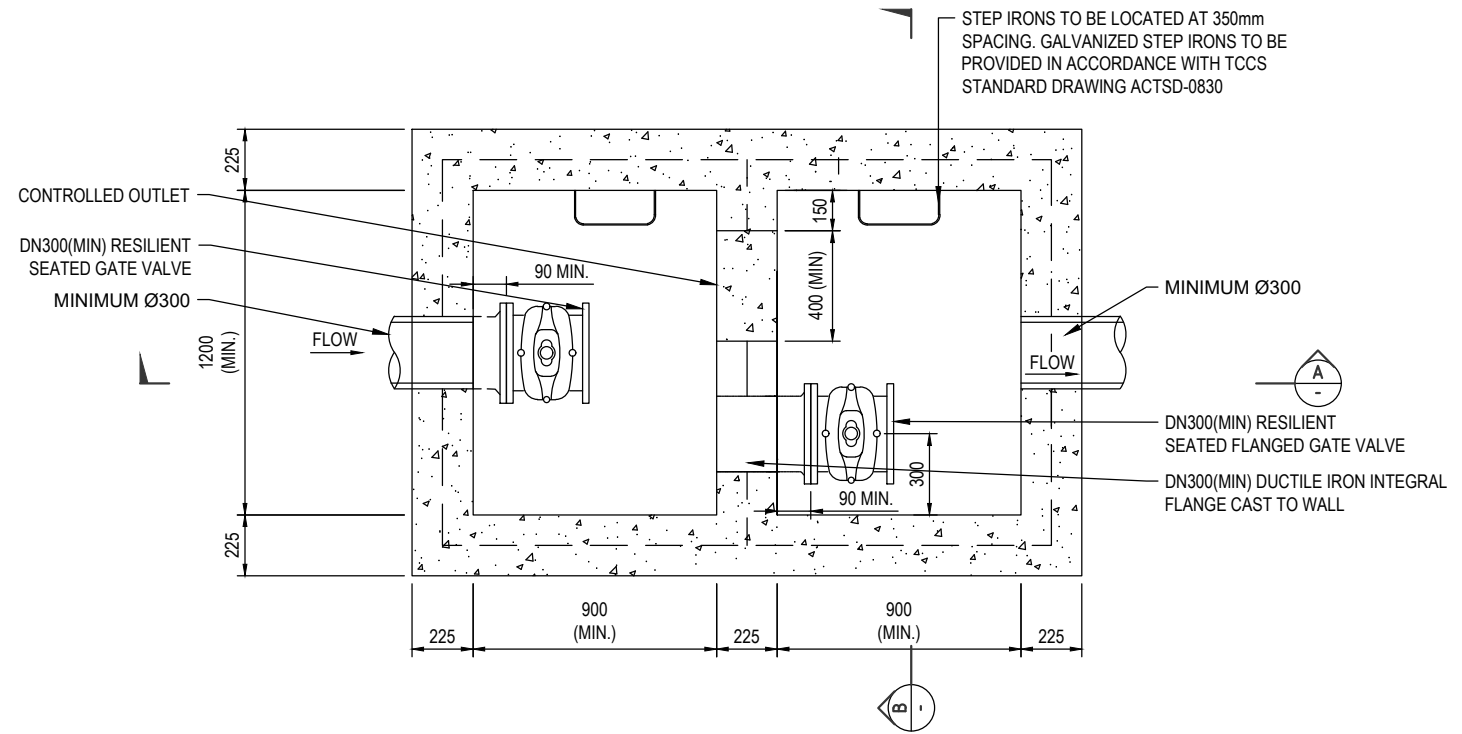
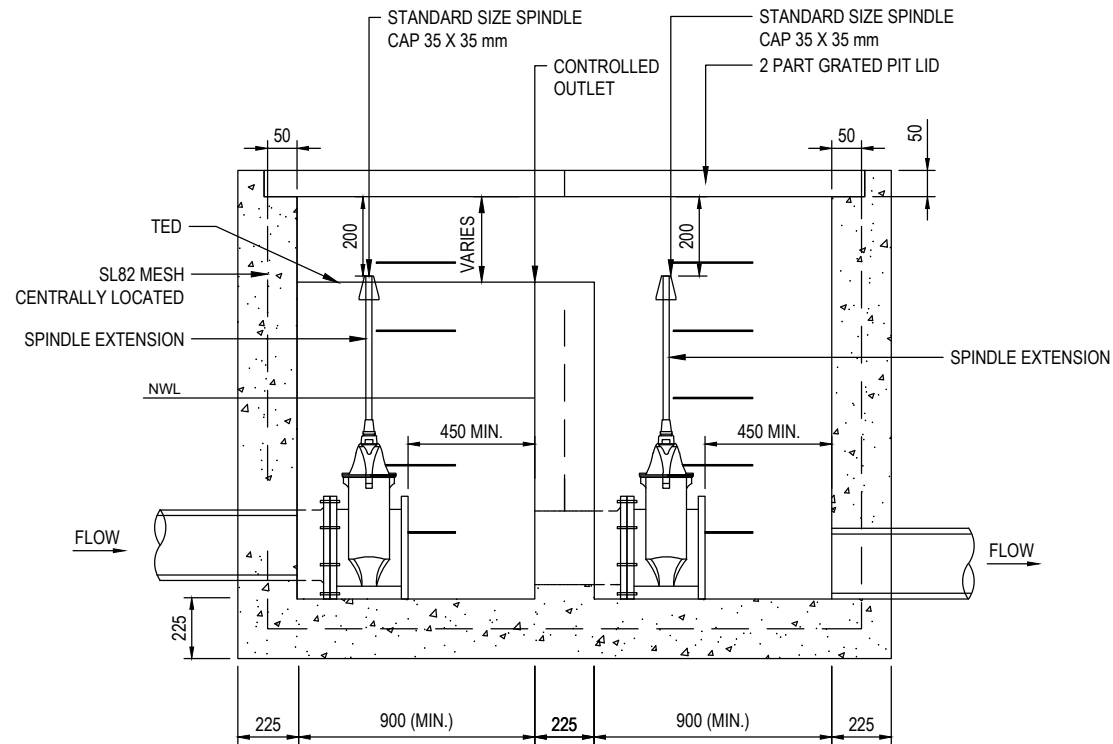


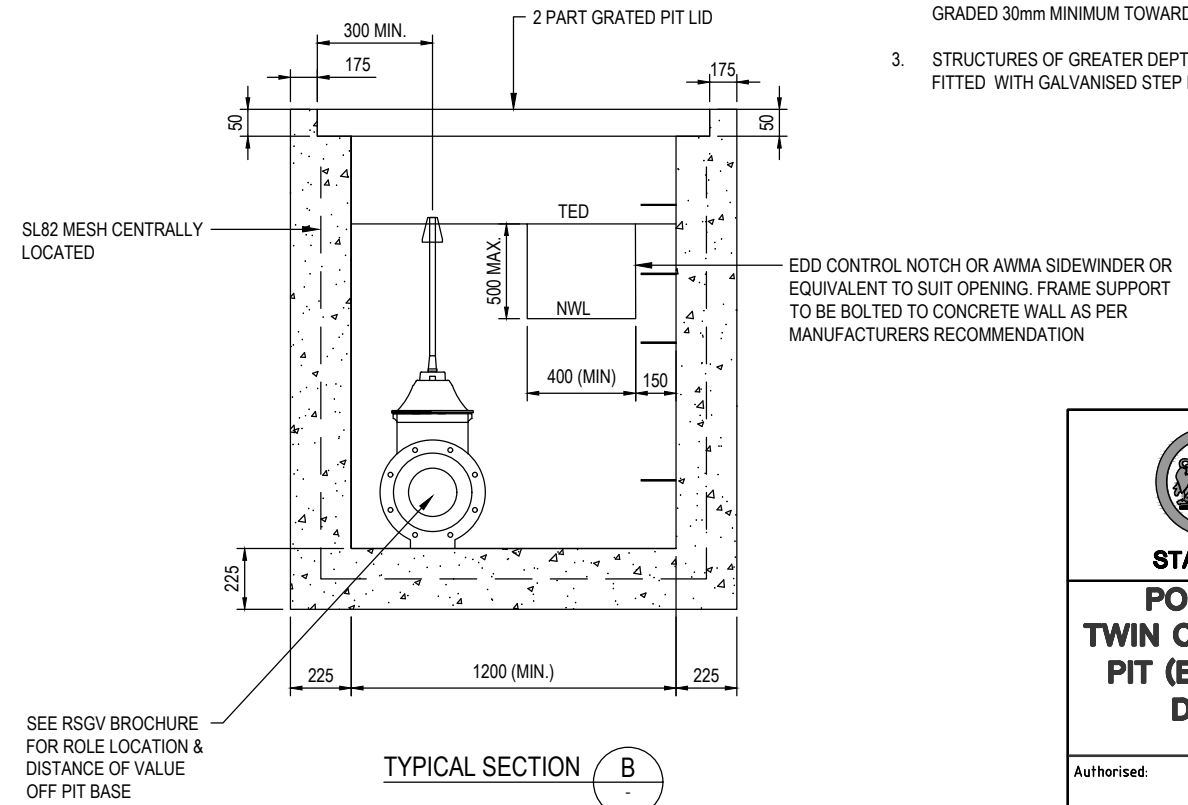
PLAN (SHOWING LID)



PLAN



TYPICAL SECTION A



TYPICAL SECTION B

NOTES:

1. MINIMUM CONCRETE COMPRESSIVE STRENGTH SHALL BE 32MPa.
2. THE INVERTS OF ALL STORMWATER STRUCTURES SHALL BE GRADED 30mm MINIMUM TOWARDS THE OUTLET.
3. STRUCTURES OF GREATER DEPTHS THAN 850mm SHALL BE FITTED WITH GALVANISED STEP IRONS.



STANDARD DRAWING
POND/WETLAND
TWIN CHAMBER OUTLET
PIT (EDD CONTROL & DRAWDOWN)
NOT TO SCALE

Authorised:

Latest Revision Details

Rev	Amendment	Date
0	NEW STANDARD DRAWING	24/06/21
Drawing No. ACTSD-0841		Revision 0