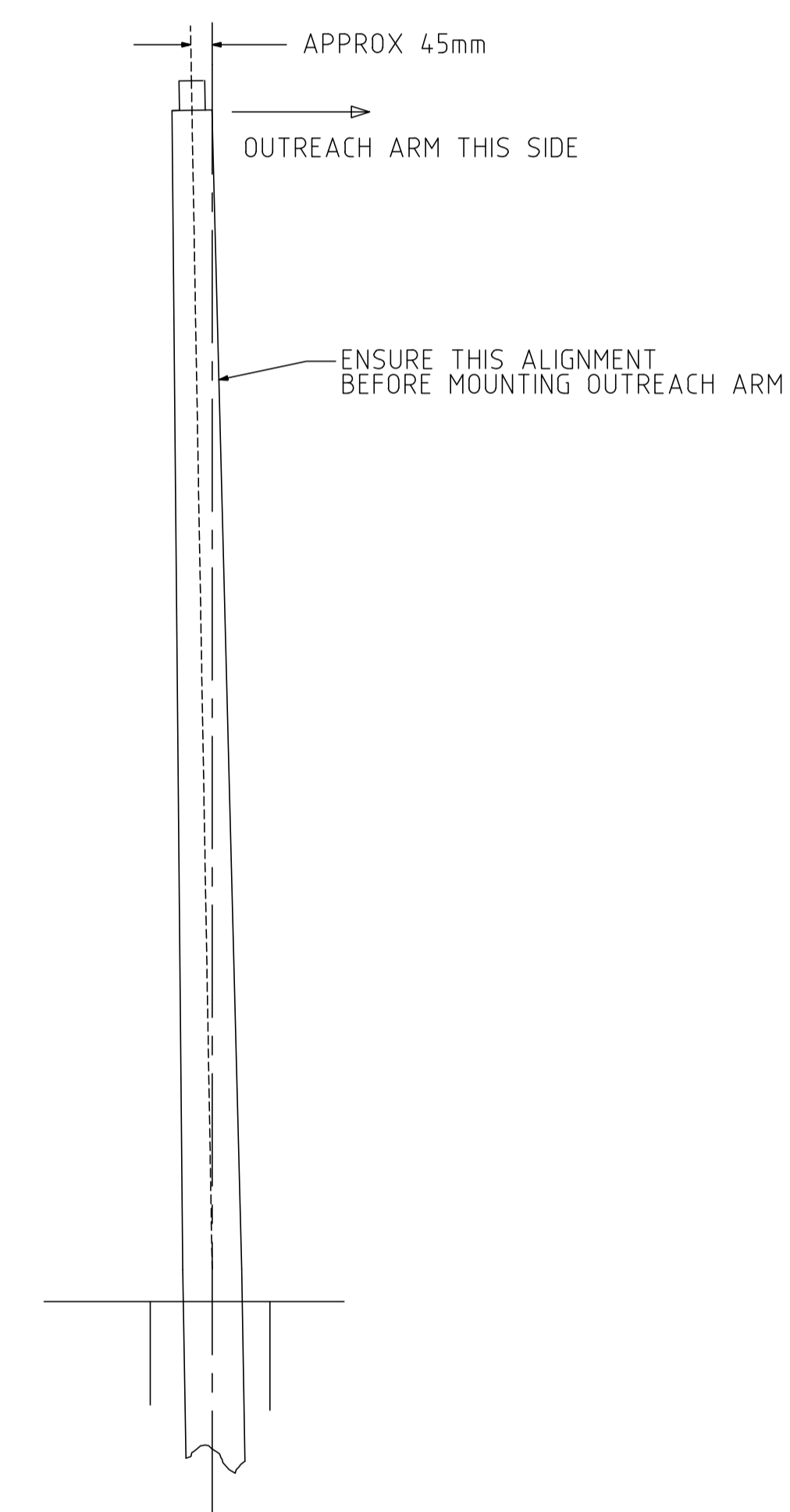


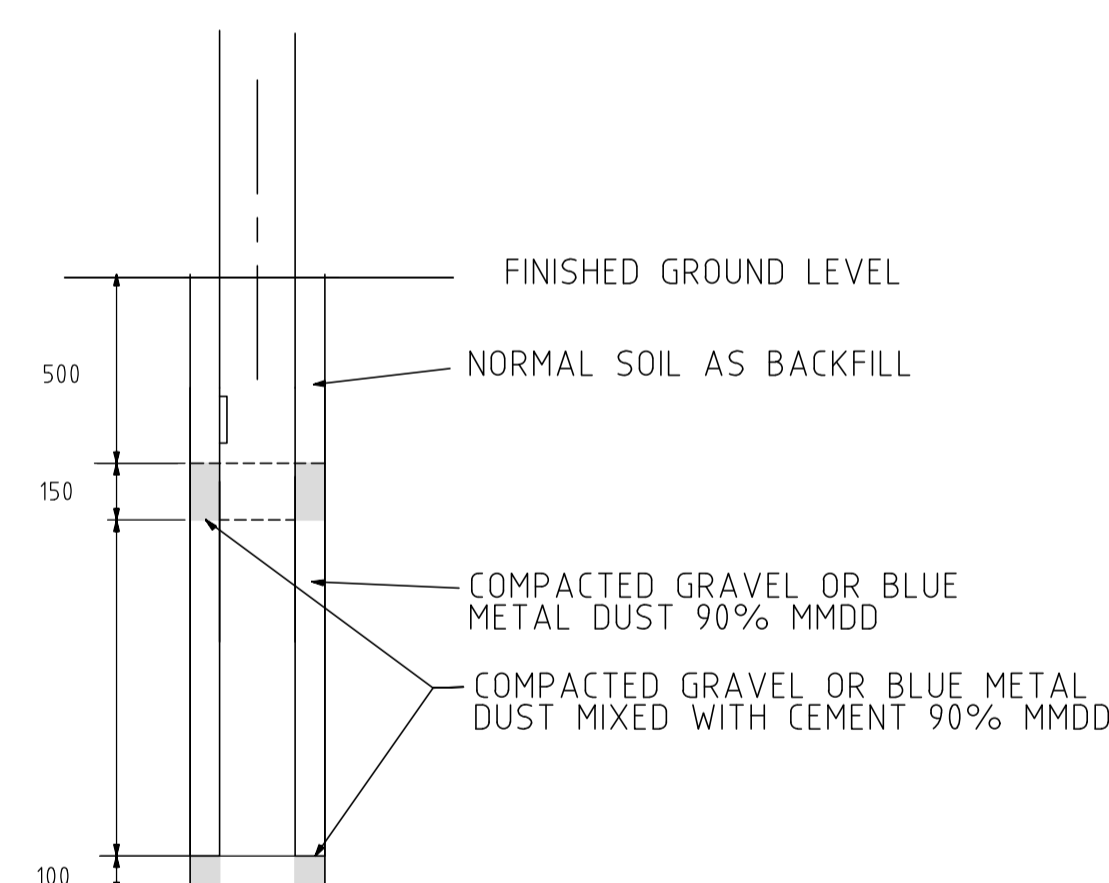
NOTES:

1. THIS METHOD OF INSTALLATION SHOULD ALSO BE FOLLOWED FOR ENERGY ABSORBING COLUMNS.
2. FOR COLUMNS 6.5m OR LOWER USE NORMAL SOIL BACKFILL COMPACTED TO 90% MMDD.
3. USE TORQUE WRENCH TO TIGHTEN NUTS ON SLIP BASE NOMINAL TENSION 90Nm.
4. DIG AROUND COLUMN AS SHOWN TO ALLOW WATER TO RUN PAST THE COLUMN WITHOUT ENTERING THE SLIP BASE ASSEMBLY.
5. AVOID INSTALLING SLIP BASE COLUMNS, WHERE FLOODING IS LIKELY USE IMPACT ABSORBING COLUMNS INSTEAD.
6. FOR CORRECT OPERATION OF SLIP BASE COLUMN MAXIMUM & MINIMUM HEIGHTS FROM G/C SHALL NOT BE EXCEEDED.

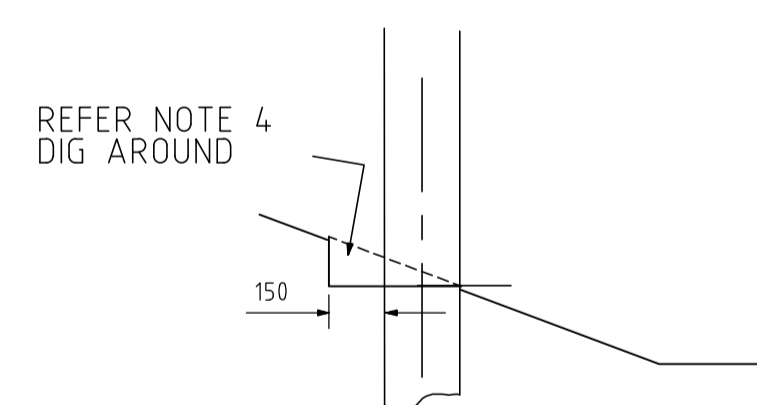
COLUMN OFFSET 45mm OR HALF THE WIDTH OF THE TOP OF THE COLUMN FROM PLUMB AWAY FROM THE OUTREACH ARM



PLUMB COLUMN AWAY FROM OUTREACH ARM



LEVEL SITE



SLOPING VERGE



ACT
Government

STANDARD DRAWING

STREETLIGHTING COLUMN INSTALLATION

DRAWING NOT TO SCALE - N.T.S.

Authorised:

Latest Revision Details

Rev	Amendment	Date
0	BASED ON DRG 0512-02-01	21/12/21

Drawing No. **ACTSD-4051** Revision **0**