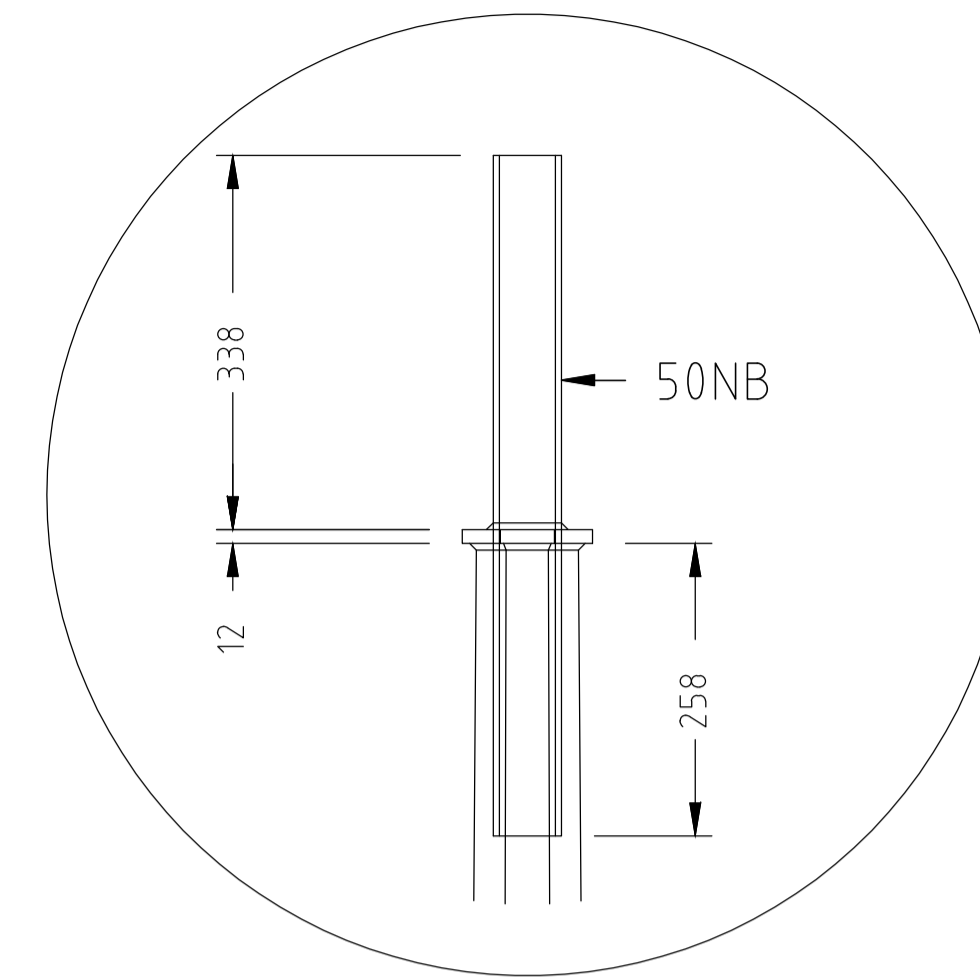
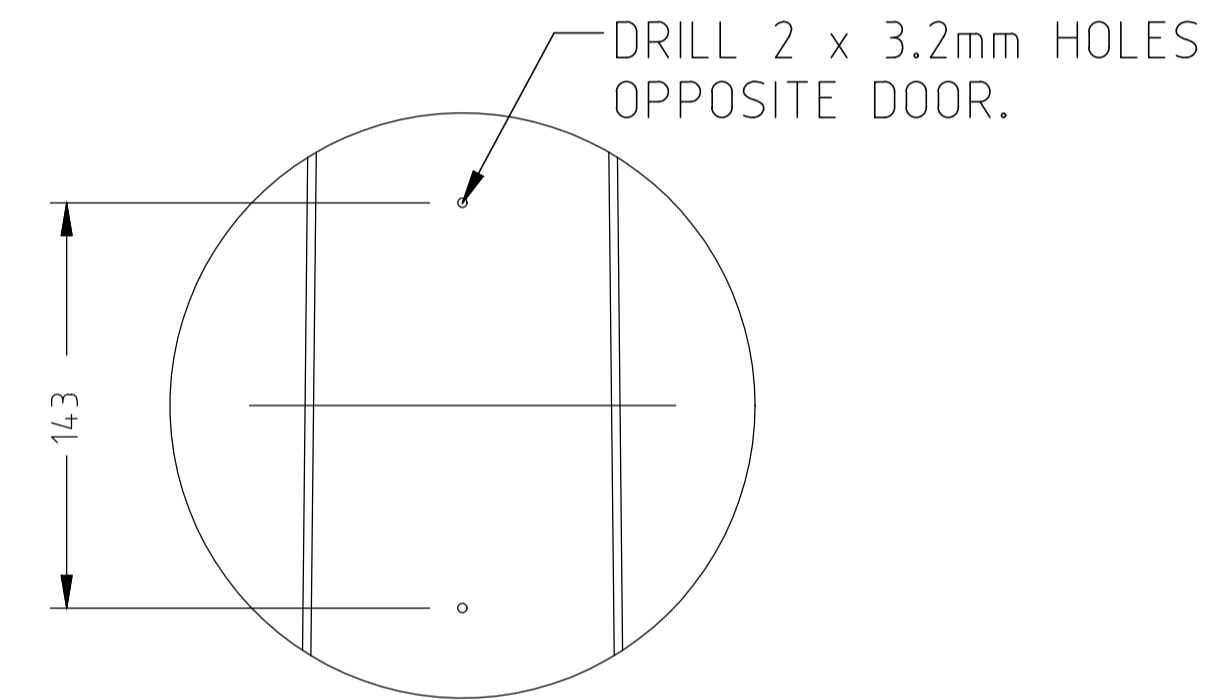


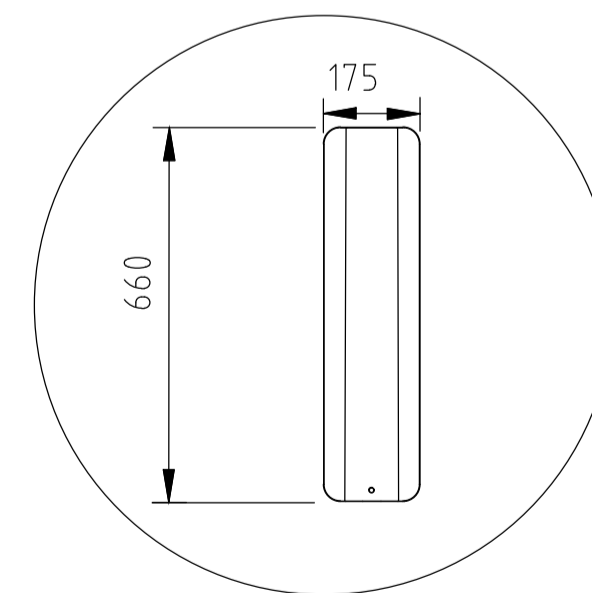
**SIDE VIEW**



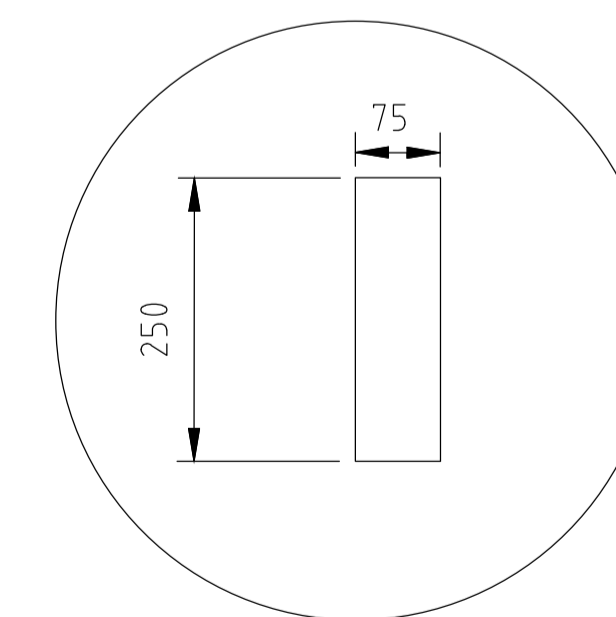
**DETAIL A**



**SIDE ELEVATION B**



**DETAIL C**



**DETAIL D**

**NOTES:**

1. ALL DIMENSIONS SHOWN ARE IN mm.
2. COLUMN DESIGN TO COMPLY WITH AS 1170 & AS 1798.
3. ALL WELDING TO COMPLY WITH AS 1554.
4. GALVANIZING TO CONFIRM TO AS/NZS 4680.
5. PAINT FINISH TO AS 3887 CATEGORY LONG TERM.



**STANDARD DRAWING**

**12.0m IMPACT ABSORBING COLUMN DIRECT BURIED**

DRAWING NOT TO SCALE - N.T.S.

Authorised:

Latest Revision Details

Rev	Amendment	Date
0	BASED ON DRG 0512-03-11	21/12/21
Drawing No. <b>ACTSD-4111</b>		Revision <b>0</b>