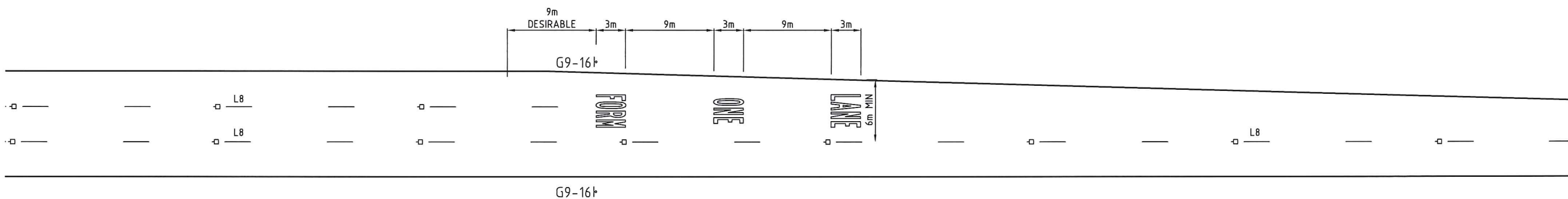


TYPICAL FORM ONE LANE TREATMENT (ZIP MERGE)





TYPICAL FORM TWO LANE TREATMENT (ZIP MERGE)

TYPICAL FORM TWO LANE TREATMENT (ZIP MERGE)

1. PAVEMENT MESSAGES SHALL BE MARKED WITH LONG LIFE MATERIALS (LLM)
2. REFER AS1742.2 FOR ZIP MERGE, LANE CHANGE / GENERAL CASE OR LANE CHANGE / EXPRESS WAY TYPE ENTRY RAMP DETAILS AND FOR ROADS WITH AN 85 %ILE GREATER THAN 80Km/h

LEGEND:

- G9-15 FORM ONE LANE
G9-16 FORM TWO LANES

  <p>ACT GOVERNMENT</p> <p>DESIGN STANDARD URBAN INFRASTRUCTURE</p>	
Authorised: DIRECTOR, ROADS ACT TONY GILL	
Drawn: MARTIN GORDON	Date: 23/06/2011
Project Engineer: FRED IHEGIE / SNEZANA DIMITROVSKA	
<p>FORM ONE/TWO LANE DETAILS</p>	
Scale: NTS	Date: 23 JUNE 2011
AutoCAD File: DS9-27.DWG	
Latest Revision Details: A DS9 UPDATE	
Drawing No. DS9-27	Revision A