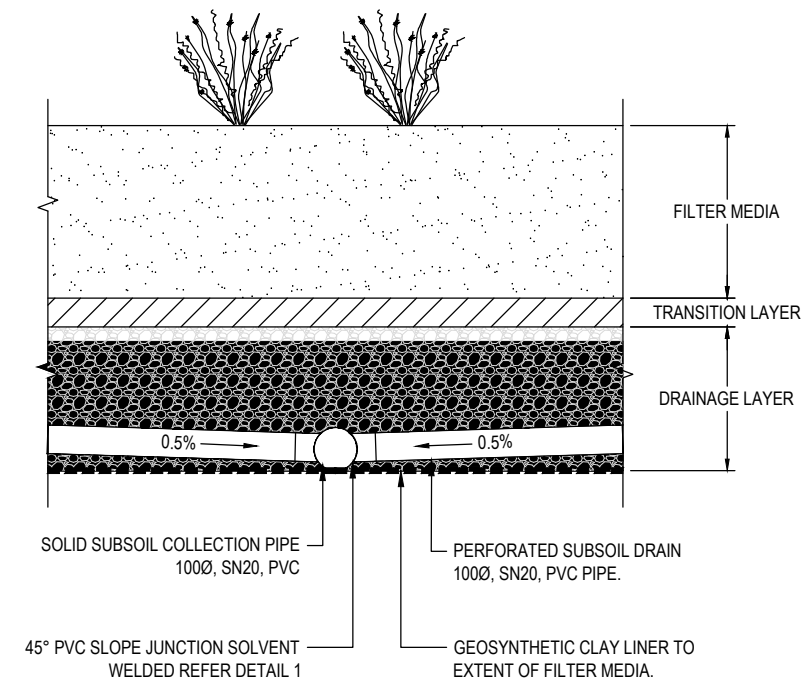
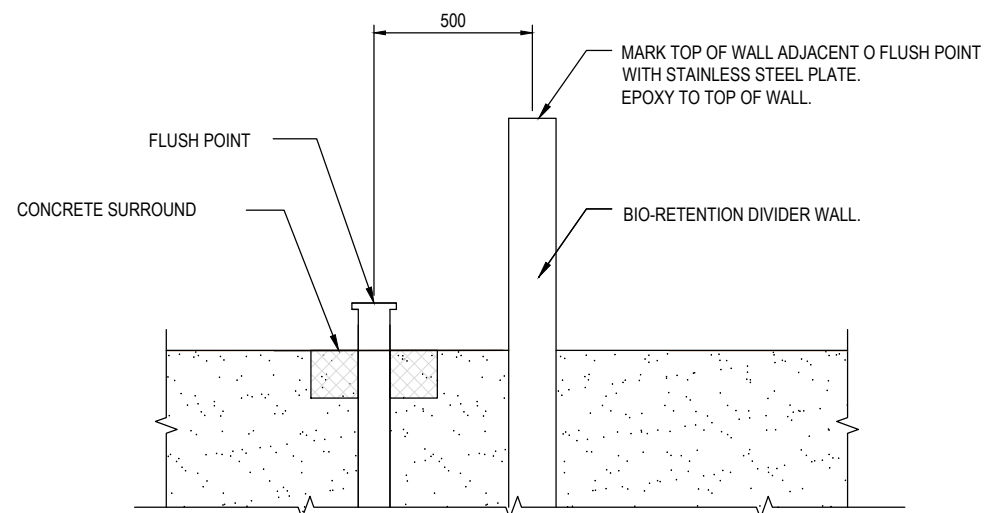


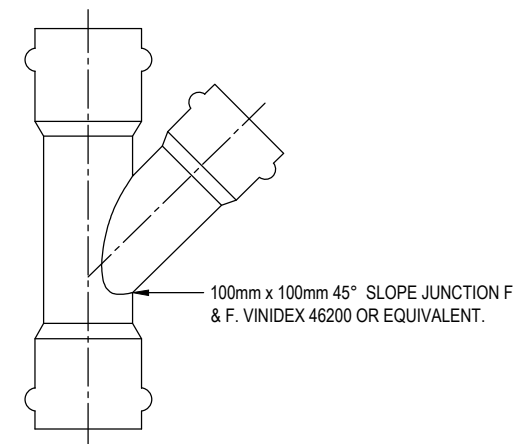
TYPICAL DETAIL - FLUSH POINT ADJACENT TO BATTER




TYPICAL DETAIL - SUBSOIL DRAIN PIPE CONNECTION



TYPICAL DETAIL-FLUSH POINT ADJACENT TO DIVIDER WALL



DETAIL 1

 ACT Government	
STANDARD DRAWING	
BIORETENTION DRAINAGE LAYER DETAILS	
NOT TO SCALE	
Authorised:	
Latest Revision Details	
0	NEW STANDARD DRAWING
24/06/21	Date
Rev	Amendment
Drawing No.	Revision
ACTSD-0842	0