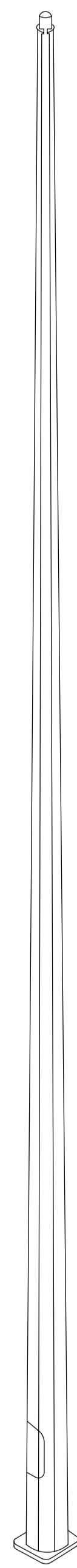
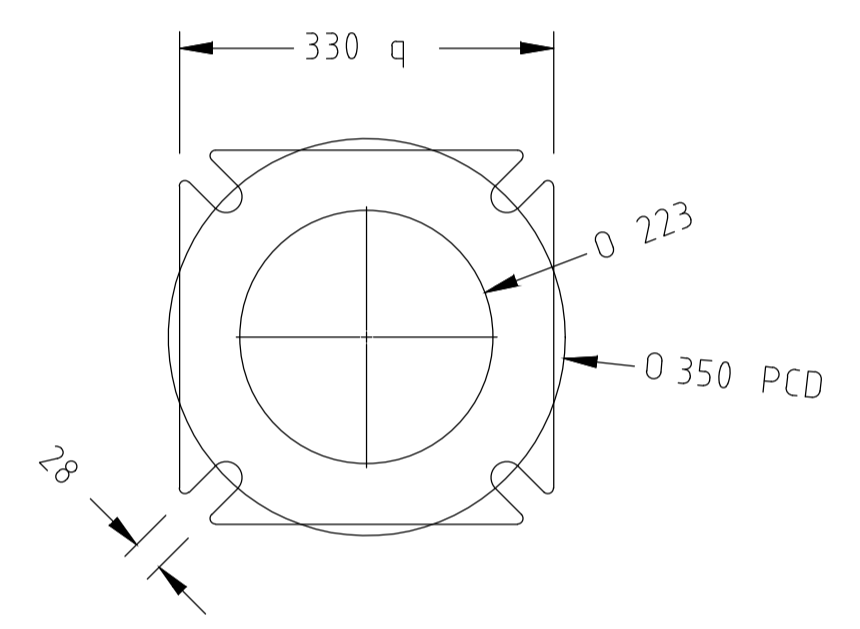


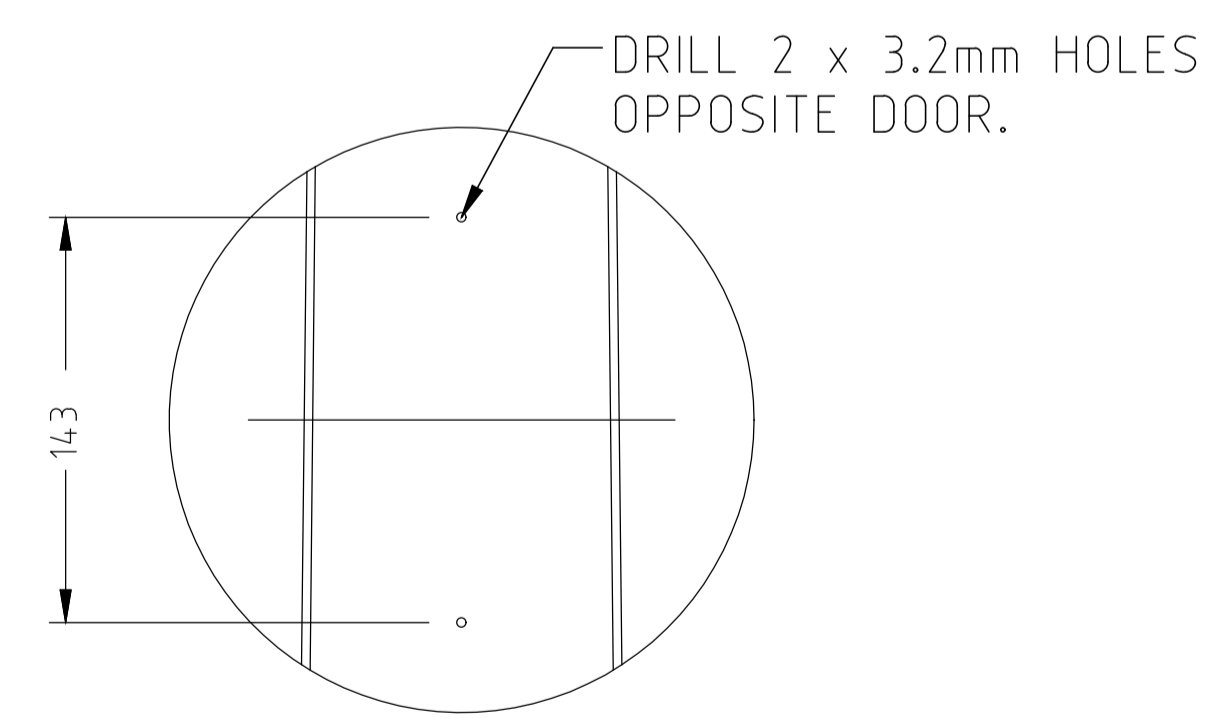
SIDE VIEW




ISO VIEW



BASE PLATE



SIDE ELEVATION A

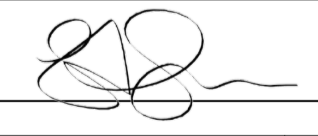


ACT
Government

STANDARD DRAWING

12.0m TAPERED OCTAGONAL COLUMN BASE PLATE MOUNTED

DRAWING NOT TO SCALE - N.T.S.

Authorised: 

Latest Revision Details		
0	BASED ON DRG 0512-03-24	21/12/21
Rev	Amendment	Date
Drawing No.		Revision
ACTSD-4124		0