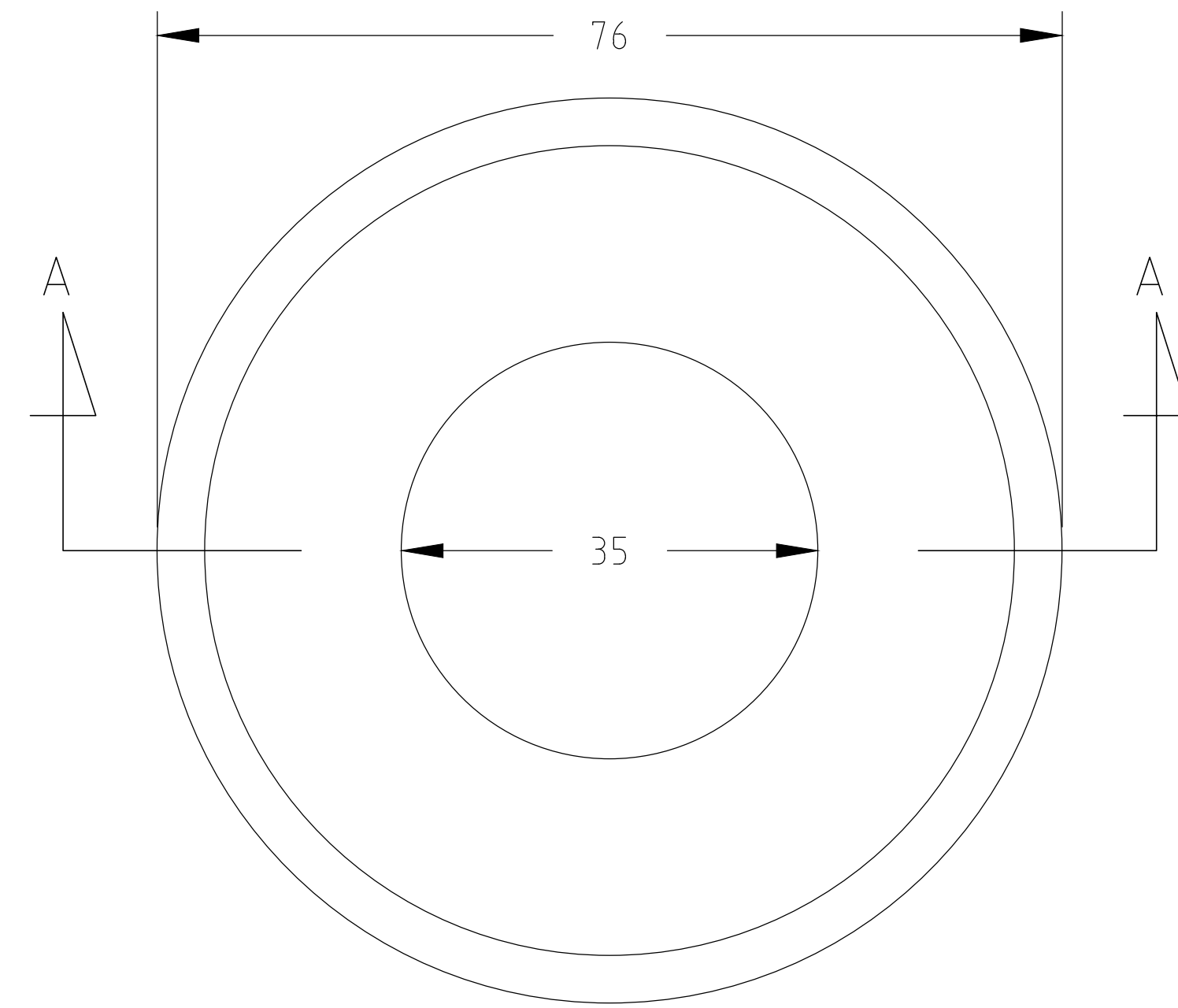
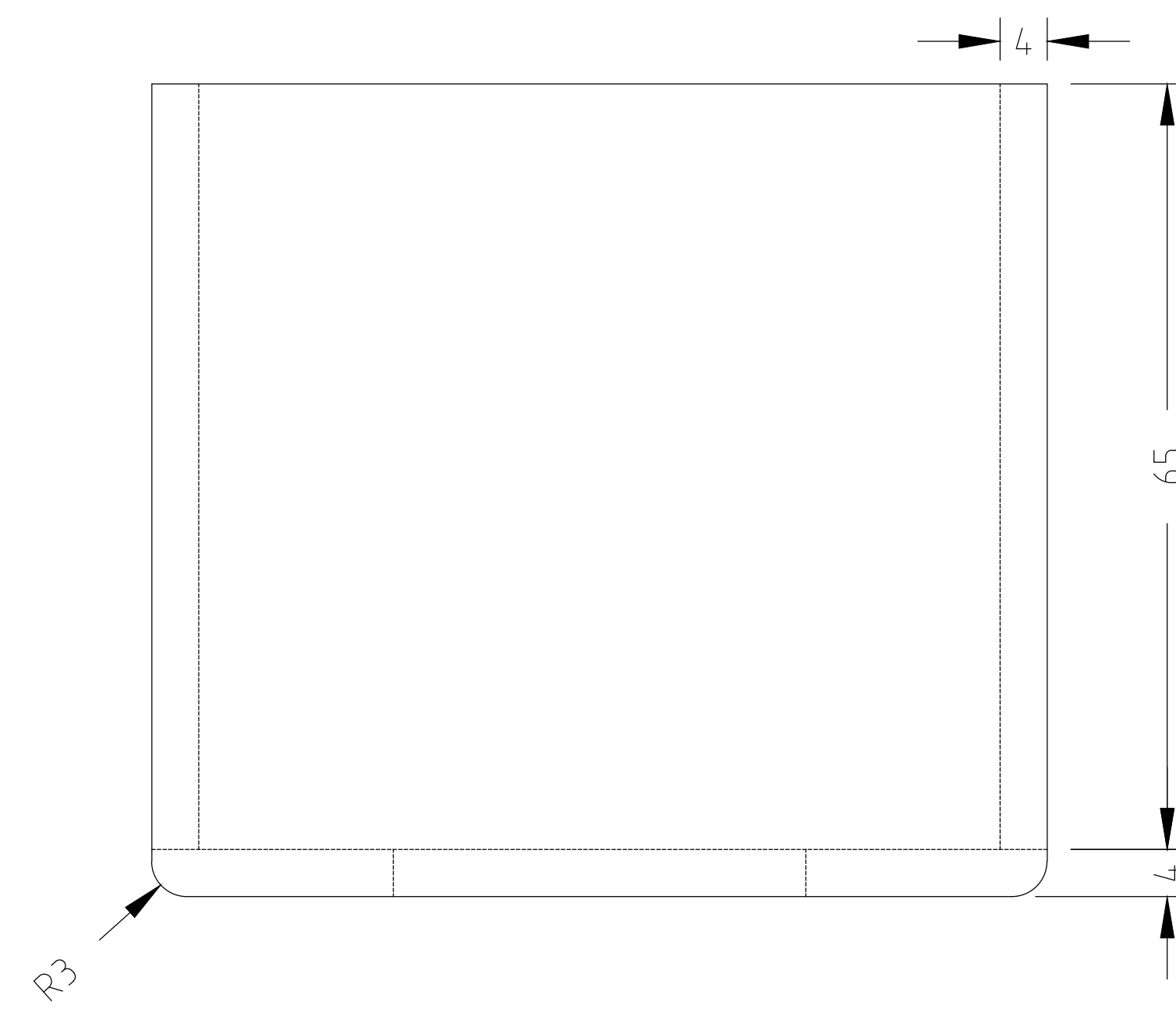


NOTES:

1. ALL DIMENSIONS INDICATED ARE IN MILLIMETERS.
2. ALL WELDING TO COMPLY WITH AS1554
3. ALL GALVANISING TO COMPLY WITH AS/NZS4680 (600mg/sqm)



PLAN VIEW



SECTION A-A



STANDARD DRAWING

**GALVANISED STEEL SPIGOT
ADAPTOR TO SUIT 3.5m POST TOP
COLUMN**

DRAWING NOT TO SCALE - N.T.S.

Authorised:

Latest Revision Details

Rev	Amendment	Date
0	BASED ON DRG DS12-04-18	21/12/21
Drawing No. ACTSD-4168		Revision 0