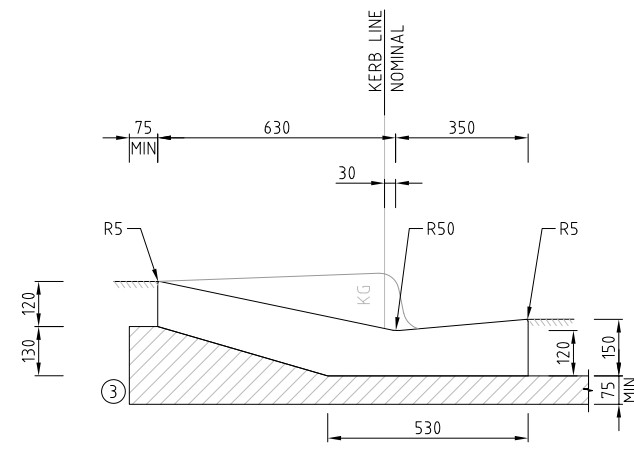
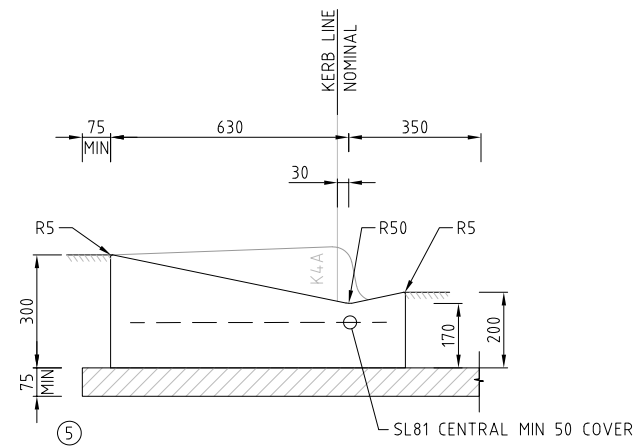


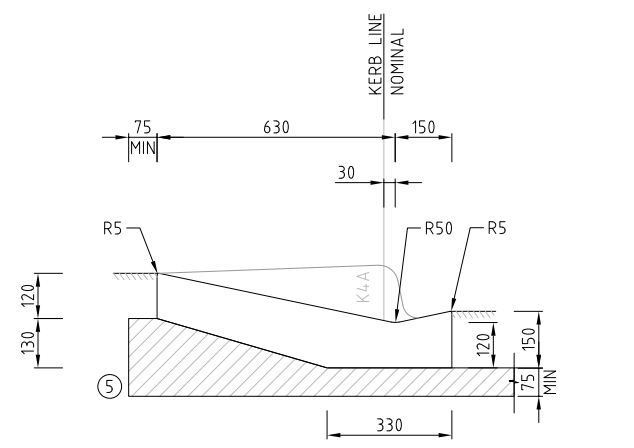
**REINFORCED VC
DETAIL (KG)**



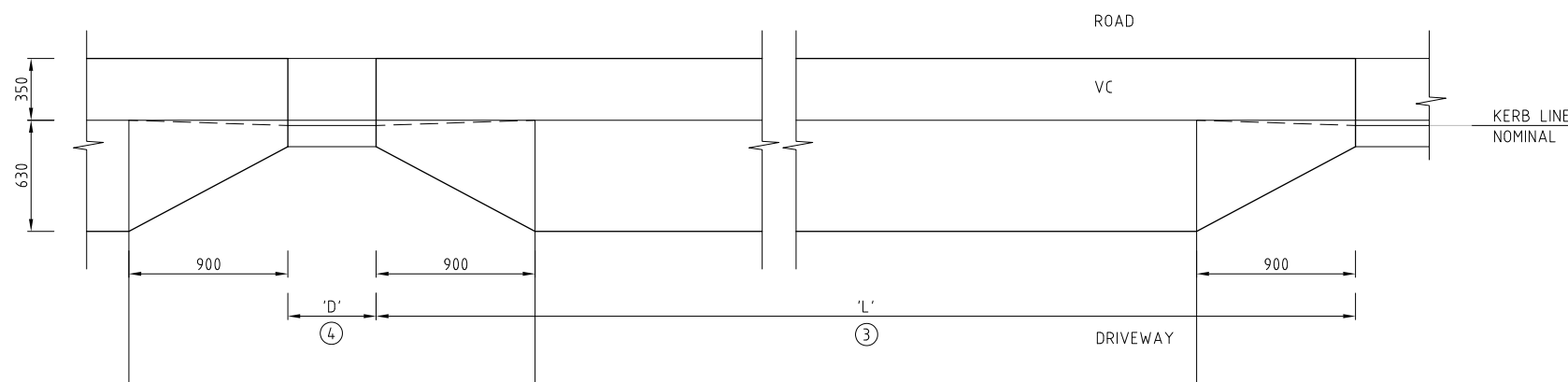
**UNREINFORCED VC
DETAIL (KG)**



**REINFORCED VC
DETAIL (K4A)**



**UNREINFORCED VC
DETAIL (K4A)**



**VEHICULAR CROSSING (VC)
KERB AND GUTTER SHOWN**

NOTES:

1. REFER TO DRAWING ACTSD-0000 FOR GENERAL NOTES.
2. REFER TO DRAWING ACTSD-0101 FOR KERB NOTES.
- ③ 'L' TO MATCH DRIVEWAY WIDTH. TYPICAL 6800 FOR SINGLE RESIDENTIAL DRIVEWAYS. REFER TO ACTSD-0702.
- ④ WHERE DISTANCE 'D' BETWEEN ADJACENT CROSSINGS WOULD BE 500 OR LESS. THE CROSSING IS TO BE CONTINUOUS.
- ⑤ ALL KERBS, GUTTERS AND KERB LAYBACKS TO BE CONSTRUCTED ON COMPACTED GRANULAR SUBBASE TO MATCH ADJACENT PAVEMENT LAYER; UNO. REFER TO MIT06A



STANDARD DRAWING

**VEHICLE
CROSSING
STANDARD DETAILS**

Authorised: *[Signature]*

Latest Revision Details

Rev	Amendment	Date
0	BASED ON DRG DS3-02	14/01/19
Drawing No. ACTSD-0103		Revision 0