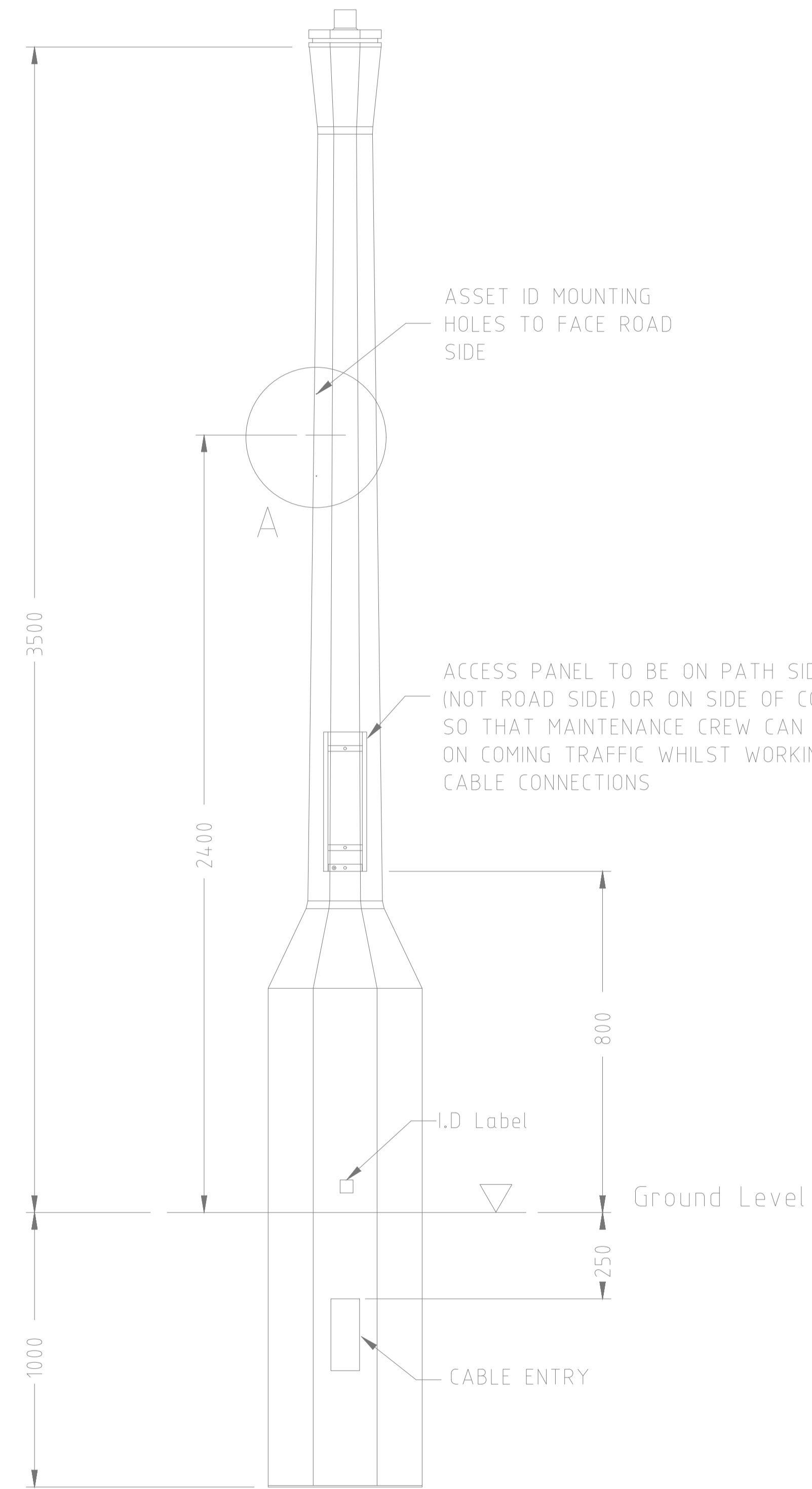
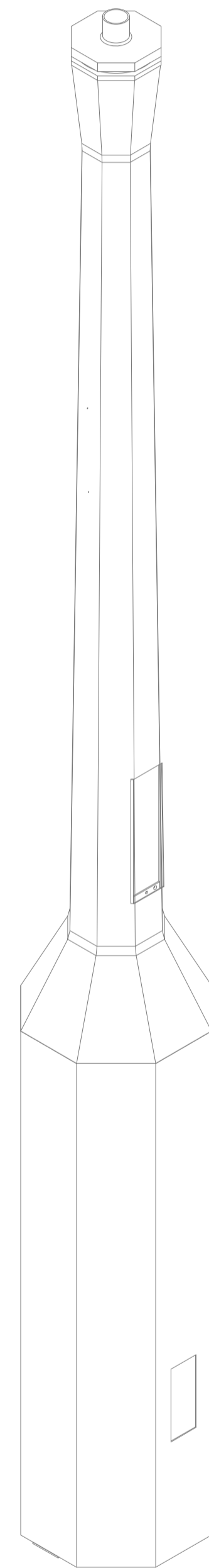


NOTES

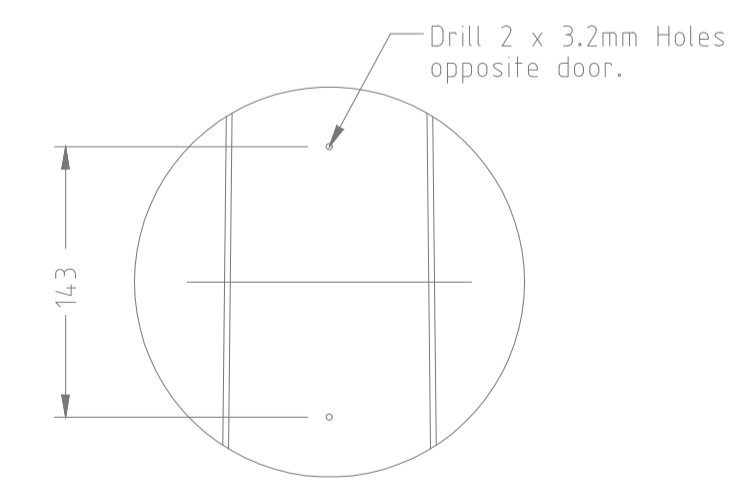
1. ALL DIMENSIONS SHOWN ARE IN MM.
2. COLUMN DESIGN TO COMPLY WITH AS 1170 & AS1798.
3. ALL WELDING TO COMPLY WITH AS 1554.
4. GALVANIZING TO CONFORM TO AS/NZS 4680.PAINT FINISH TO AS 3887 CATEGORY LONG TERM.



SIDE VIEW



ISO VIEW



SIDE ELEVATION A



STANDARD DRAWING

COMPLAP CONCRETE STREETLIGHTING COLUMN

DRAWING NOT TO SCALE - N.T.S.

Authorised:

Latest Revision Details

| Rev | Amendment | Date |
|-----|-------------------------|----------|
| 0 | BASED ON DRG DS12-03-01 | 21/12/21 |

Drawing No. **ACTSD-4101** Revision **0**