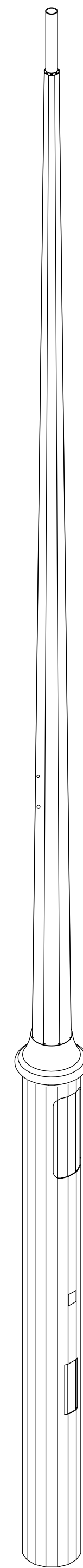
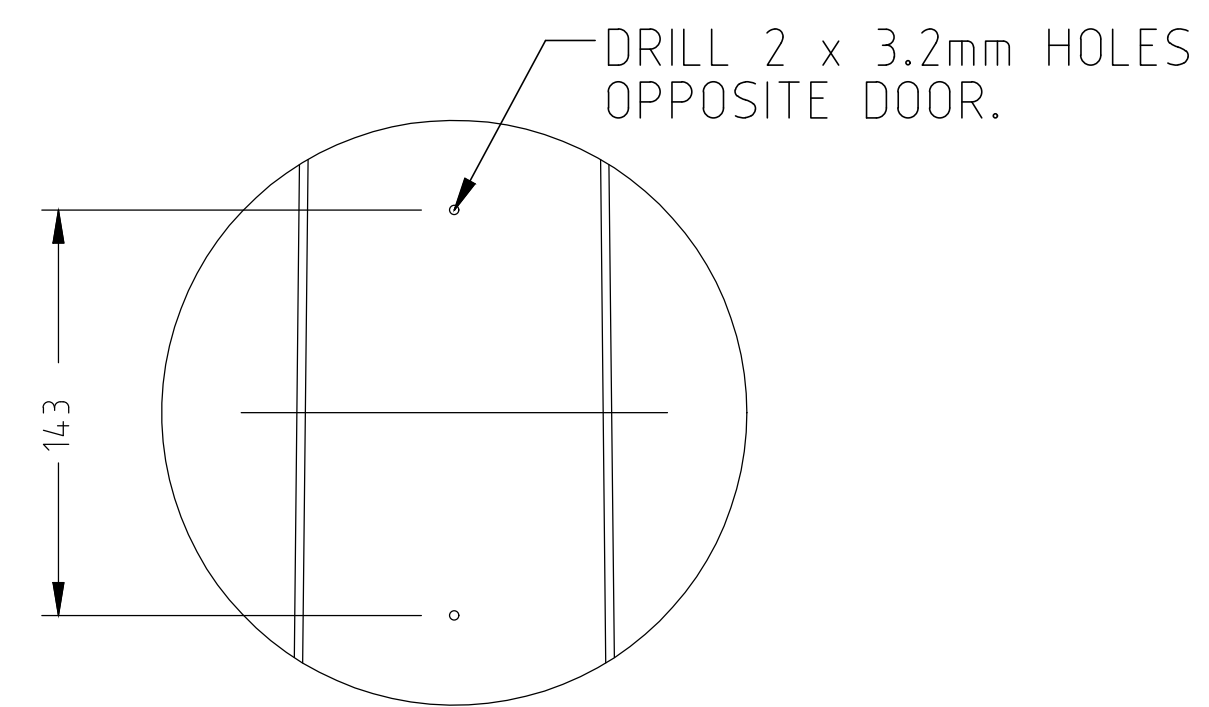


SIDE VIEW



ISO VIEW



SIDE ELEVATION A

NOTES:

1. ALL DIMENSIONS SHOWN ARE IN mm.
2. COLUMN DESIGN TO COMPLY WITH AS 1170 & AS 1798.
3. ALL WELDING TO COMPLY WITH AS 1554.
4. GALVANIZING TO CONFIRM TO AS/NZS 4680.
5. PAINT FINISH TO AS 3887 CATEGORY LONG TERM.



ACT
Government

STANDARD DRAWING

6.5m DECORATIVE COLUMN DIRECT BURIED

DRAWING NOT TO SCALE = N.T.S.

Authorised:

Latest Revision Details

Rev	Amendment	Date
0	BASED ON DRG 0512-03-16	21/12/21
Drawing No. ACTSD-4116		Revision 0