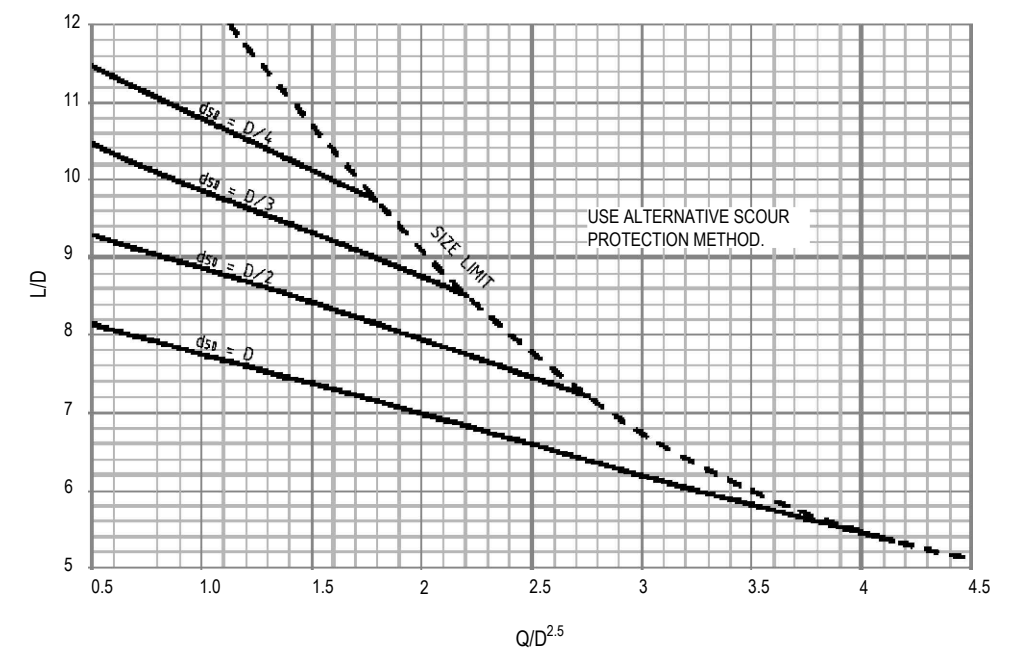
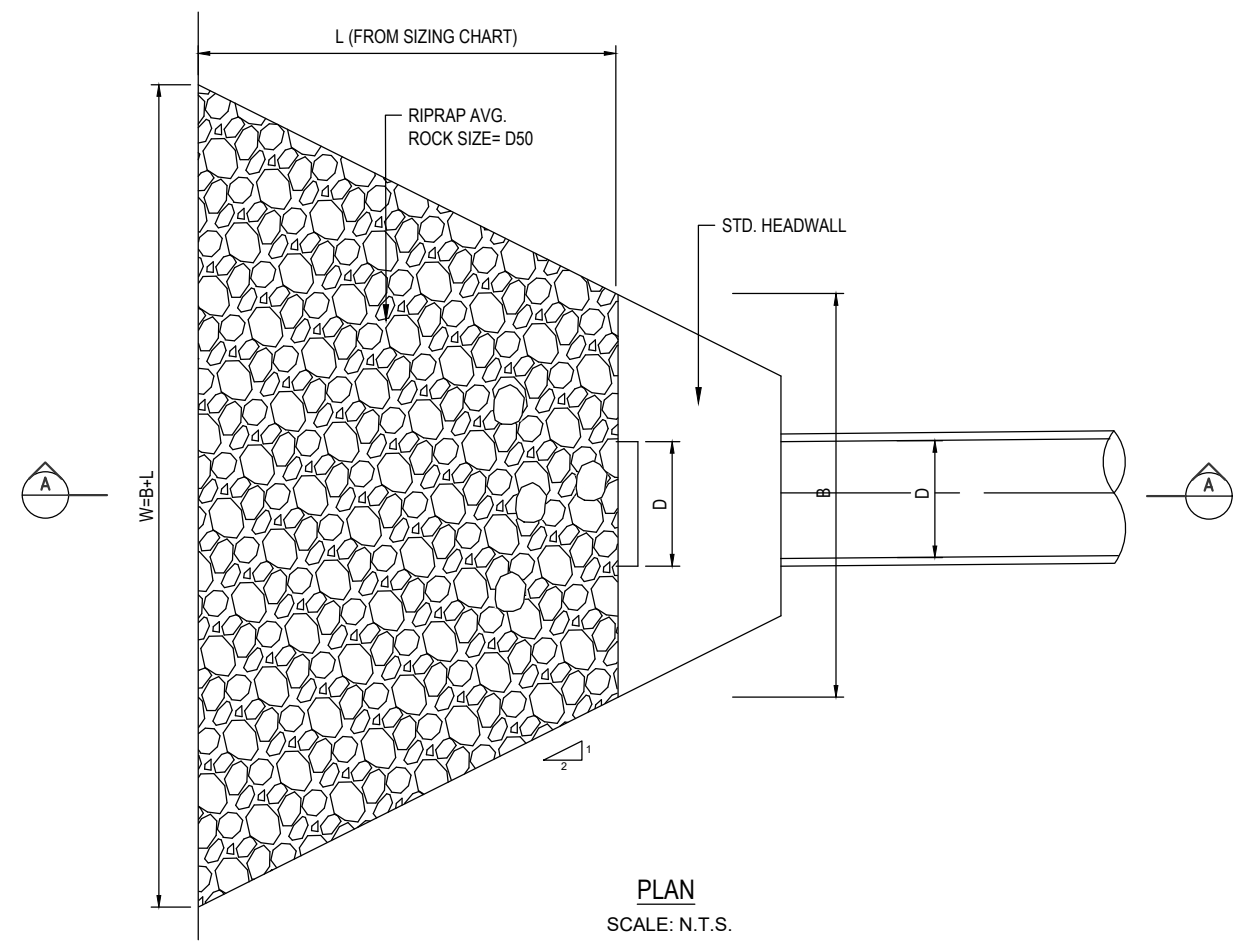


TYPICAL SECTION A
SCALE: N.T.S.




SIZING CHART

D	Hs	ts	Ls
300	100	150	300
375	125	150	375
450	150	50	450
525	175	150	525
600	200	150	600
675	225	150	675

SILL DIMENSIONS (mm)

NOTES

1. MAX CULVERT D = 675mm
2. MAX EXIT VELOCITY AT END OF APRON = 2.5m/s
3. ROCK MATTRESSES MAY BE USED IF d50 IS WITHIN MANUFACTURER'S SPECIFICATIONS.
4. ALTERNATIVE SCOUR PROTECTION MEASURES MUST BE USED IF SIZING CHART L/D LIMIT IS EXCEEDED.



ACT
Government

STANDARD DRAWING

INLET SCOUR PROTECTION DETAILS

NOT TO SCALE

Authorised:

Latest Revision Details

0	NEW STANDARD DRAWING	24/06/21
	Amendment	Date

Drawing No. **ACTSD-0844** Revision **0**