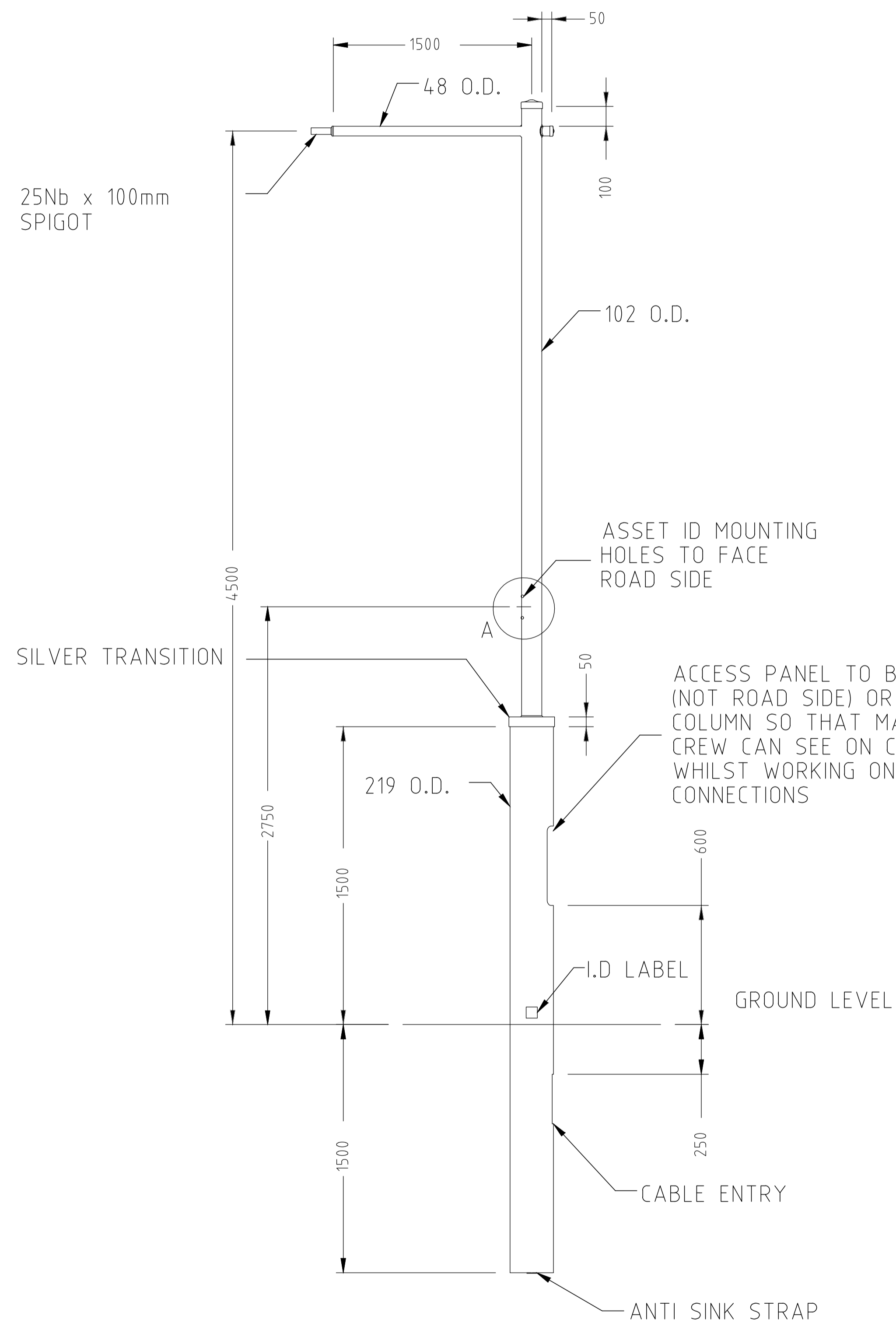
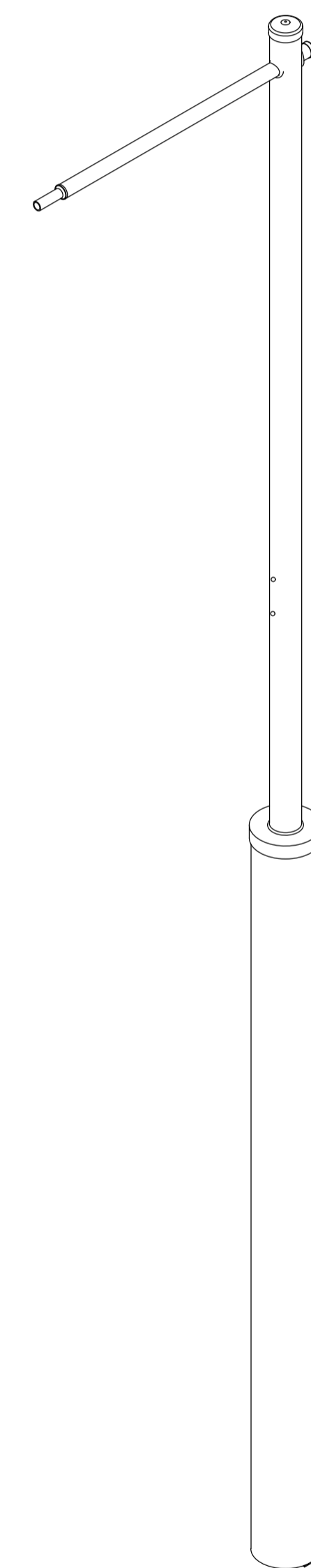


**NOTES:**

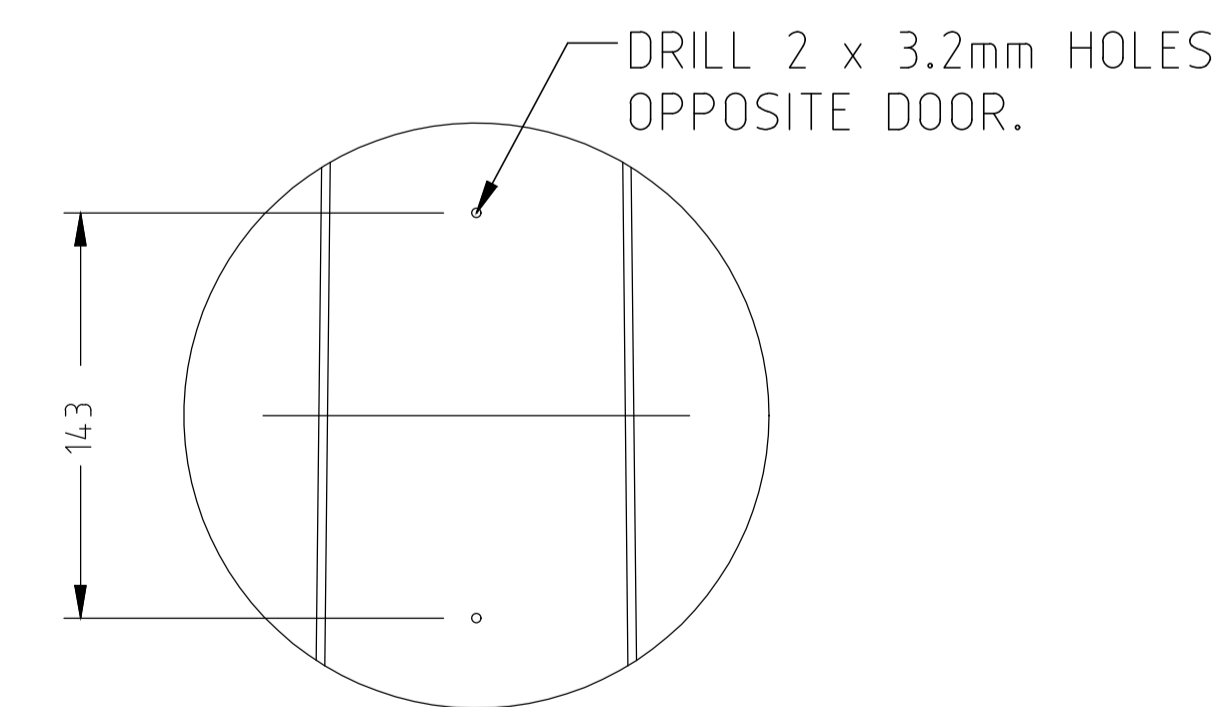
1. ALL DIMENSIONS SHOWN ARE IN mm.
2. COLUMN DESIGN TO COMPLY WITH AS 1170 & AS 1798.
3. ALL WELDING TO COMPLY WITH AS 1554.
4. GALVANIZING TO CONFIRM TO AS/NZS 4680.
5. PAINT FINISH TO AS 3887 CATEGORY LONG TERM.



**SIDE VIEW**


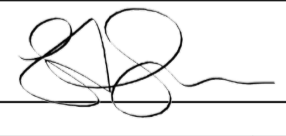


**ISO VIEW**



**SIDE ELEVATION A**

COLOUR: CHARCOAL GREY 32999 c/w SILVER TRANS

 <b>ACT</b> Government	
<b>STANDARD DRAWING</b> <b>4.5m SINGLE FORDE DECORATIVE COLUMN DIRECT BURIED</b>	
DRAWING NOT TO SCALE - N.T.S.	
Authorised: 	
Latest Revision Details	
0	BASED ON DRG 0512-03-17
Rev	Amendment
	Date
Drawing No.	Revision
<b>ACTSD-4117</b>	<b>0</b>