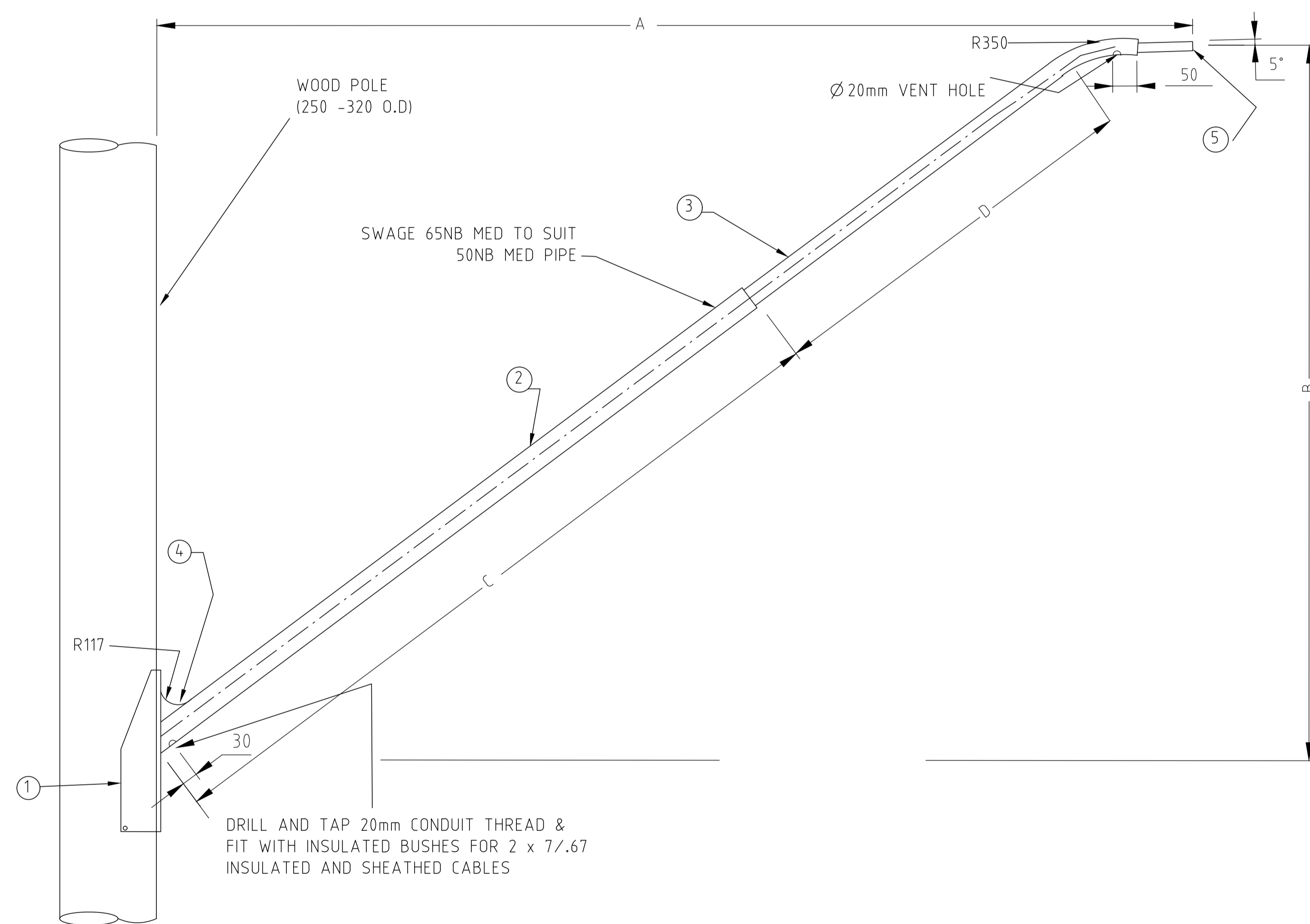


MATERIALS			
ITEM NO.	DESCRIPTION	QUANTITY	MATERIALS
1	MOUNT PLATE	1 OFF	10mm M/S PLATE PROFILE CUT AND PRESSED
2	OUTREACH	1 OFF	65NB MED PIPE REFER TO TABLE FOR LENGTHS
3	OUTREACH EXT	1 OFF	50NB MED PIPE REFER TO TABLE FOR LENGTHS
4	GUSSET	1 OFF	8mm PLATE PROFILE CUT
5	SPIGOT	1 OFF	32NB MED PIPE x 115mm LONG

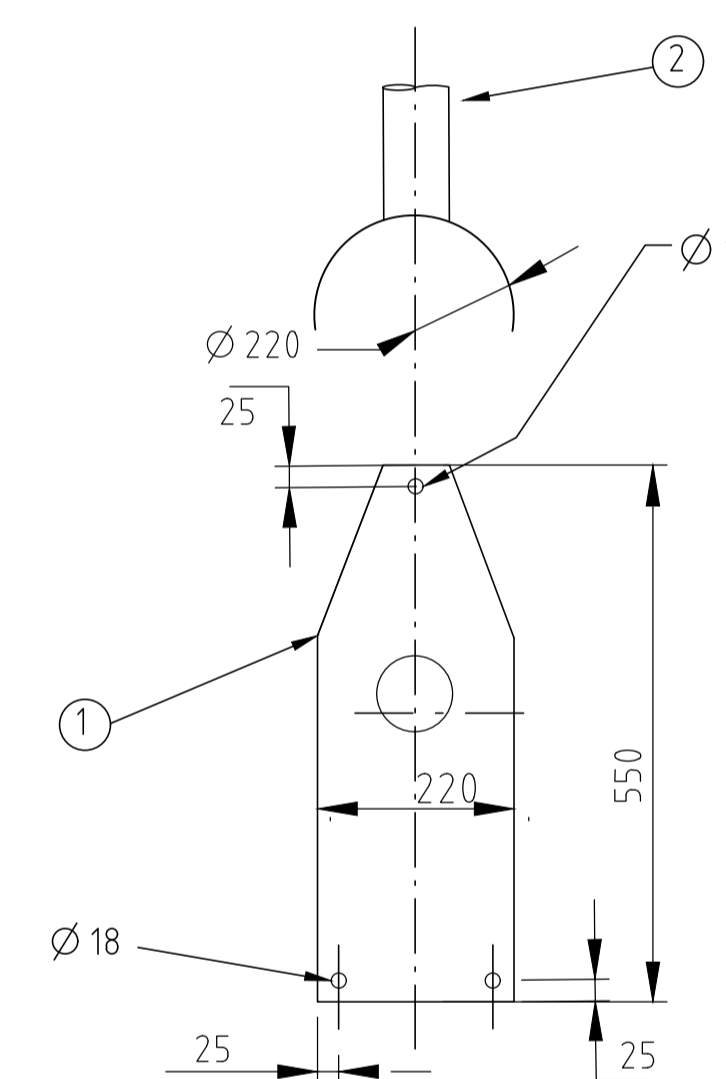
DIMENSIONS					
	OUTREACH	DIM 'A'	DIM 'B'	DIM 'C'	DIM 'D'
POLE 'A'	3000	3000	2000	2025	1410
POLE 'B'	3500	3500	2000	2520	1410
POLE 'C'	4500	4500	2000	3285	1410

NOTES:


- ALL DIMENSIONS SHOWN ARE IN MILLIMETRES.
- COLUMN DESIGN TO COMPLY WITH AS 1170 AND AS 1798.
- ALL WELDING TO CONFORM TO AS 1554.
- GALVANIZING TO CONFORM TO AS 1650.
- PAINT FINISH TO AS 2312 CATEGORY LONG TERM.
- THE BRACKET ARM WILL BE USED TO SUPPORT A LUMINAIRE TO A MAXIMUM WEIGHT OF 15kg AND 0.3m² MAXIMUM PROJECTED AREA.
- THIS DRAWING SUPERCEDES A3 4170 "12' S/L OUTREACH ARM FOR WOOD POLE MOUNTING"



ELEVATION



MOUNT PLATE DETAIL

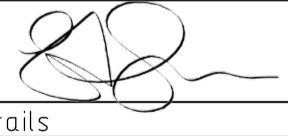


ACT
Government

STANDARD DRAWING

STREETLIGHT BRACKET ARM FOR WOOD POLES

DRAWING NOT TO SCALE - N.T.S.

Authorised: 

Latest Revision Details		
0	BASED ON DRG 0512-04-02	21/12/21
Rev	Amendment	Date
Drawing No.		Revision
ACTSD-4152		0