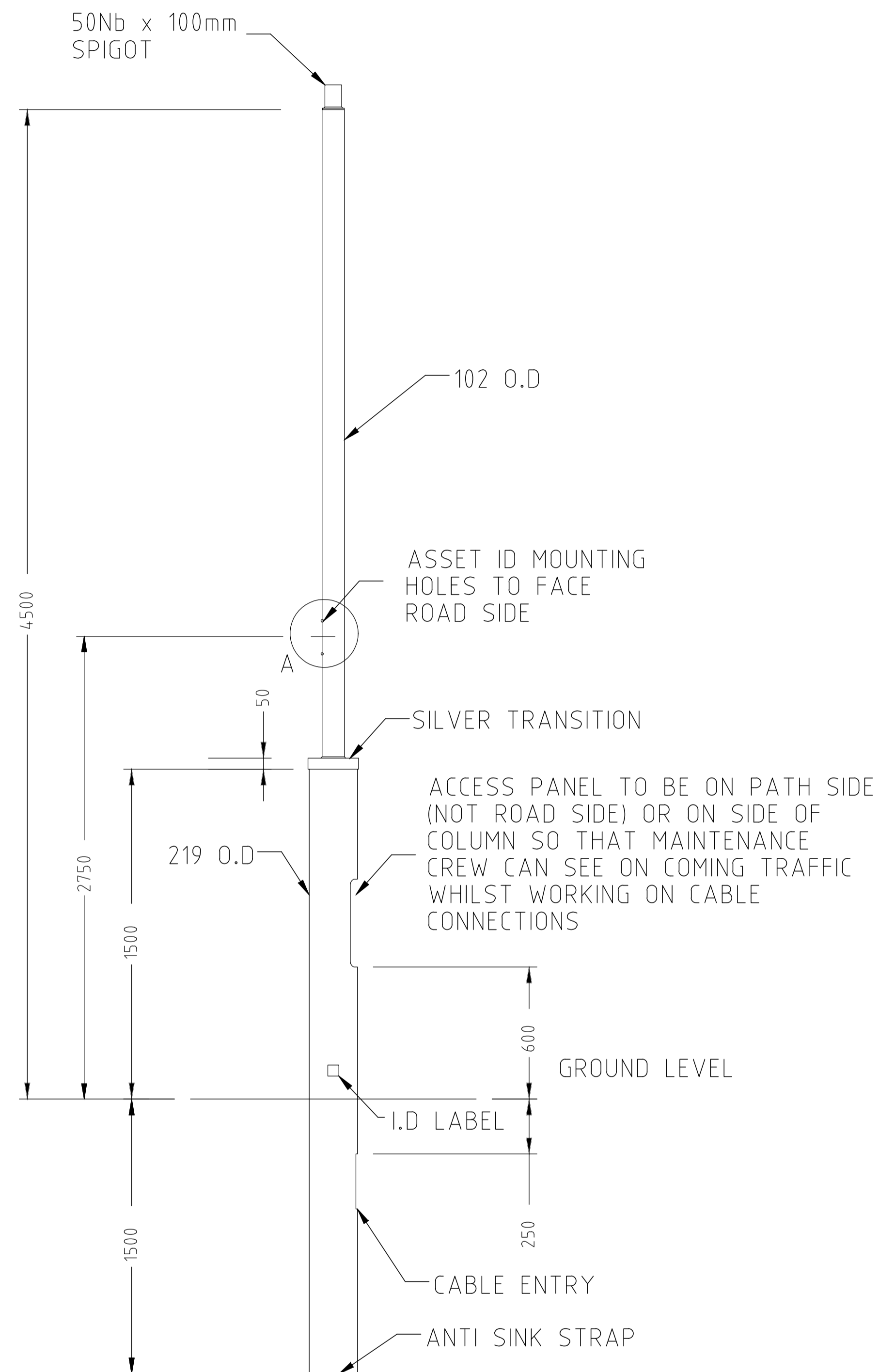
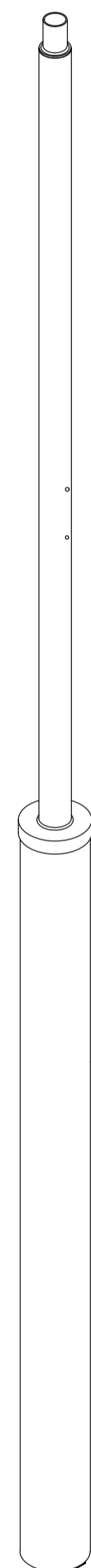


NOTES:

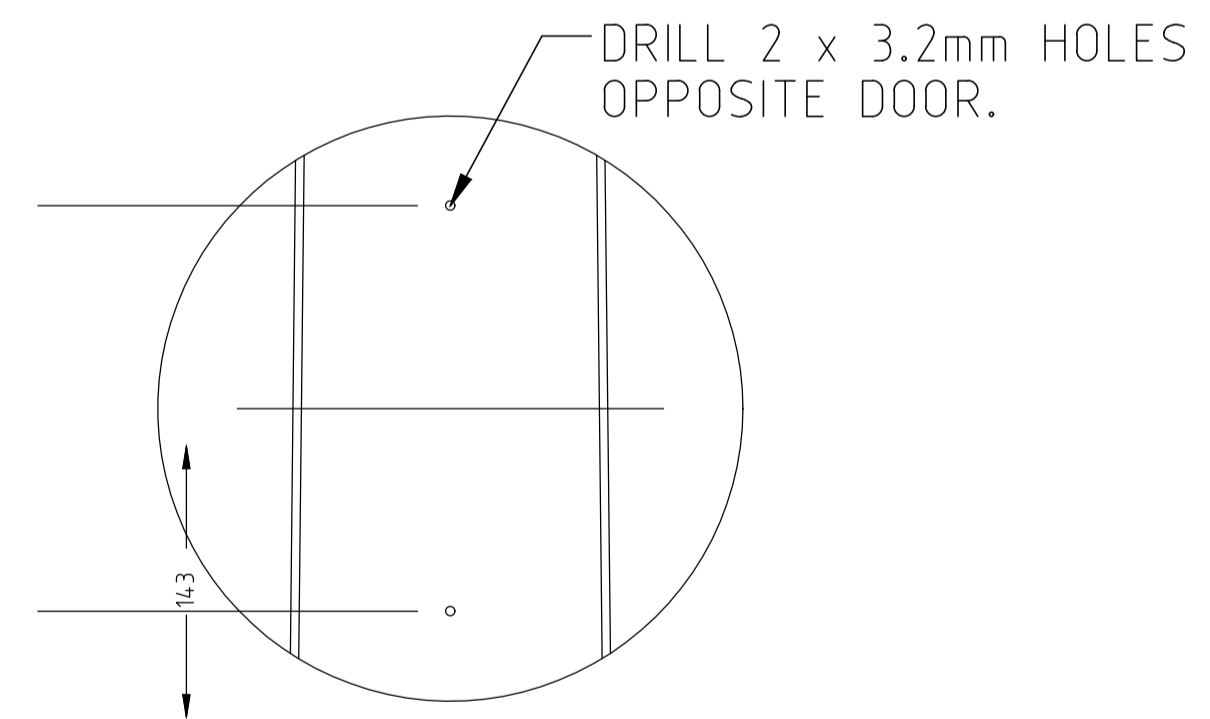
1. ALL DIMENSIONS SHOWN ARE IN mm.
2. COLUMN DESIGN TO COMPLY WITH AS 1170 & AS 1798.
3. ALL WELDING TO COMPLY WITH AS 1554.
4. GALVANIZING TO CONFIRM TO AS/NZS 4680.
5. PAINT FINISH TO AS 3887 CATEGORY LONG TERM.



SIDE VIEW


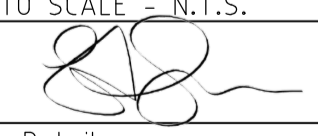


ISO VIEW



DETAIL A

COLOUR: CHARCOAL GREY 32999 c/w SILVER TRANS

 ACT Government	
STANDARD DRAWING	
4.5m POST TOP FORDE DECORATIVE COLUMN DIRECT BURIED	
<small>DRAWING NOT TO SCALE - N.T.S.</small>	
<small>Authorised:</small> 	
<small>Latest Revision Details</small>	
<small>0</small>	<small>21/12/21</small>
<small>Rev</small>	<small>Date</small>
<small>Amendment</small>	<small>Revision</small>
<small>Drawing No.</small>	<small>Revision</small>
ACTSD-4118	0