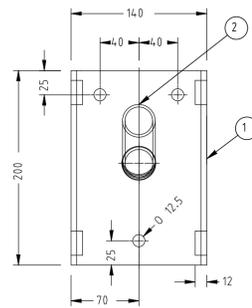


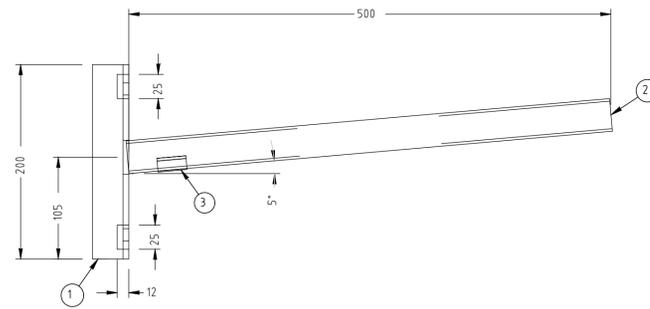
BILL OF MATERIALS			
ITEM NO.	QTY	MATERIALS	DESCRIPTION
1	1		
2	1	25NB L1 PIPE x 500lg	OUTREACH
3	1		INSULATED BUSH

**NOTES:**

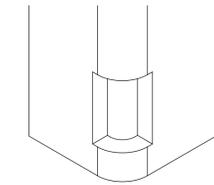
1. ALL DIMENSIONS SHOWN ARE IN mm.
2. COLUMN DESIGN TO COMPLY WITH AS1170 & AS1798.
3. ALL WELDING TO COMPLY WITH AS1554.
4. GALVANIZING TO CONFIRM TO AS/NZS 4680.
5. PAINT FINISH TO AS3887 CATEGORY LONG TERM.



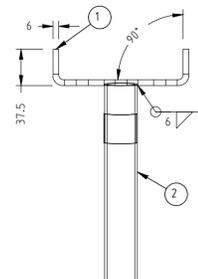
**FRONT ELEVATION**



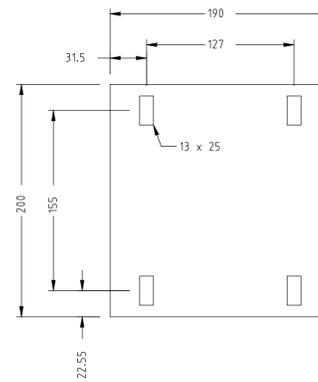
**ELEVATION**



**SLOT DETAIL**



**TOP ELEVATION**



**FLAT MOUNT PLATE DETAIL**



**STANDARD DRAWING**

**0.5m OUTREACH POLE MOUNTED BRACKET**

DRAWING NOT TO SCALE - N.T.S.

Authorised:

Latest Revision Details

Rev	Amendment	Date
0	BASED ON DRG DS12-04-05	21/12/21
Drawing No. <b>ACTSD-4155</b>		Revision <b>0</b>