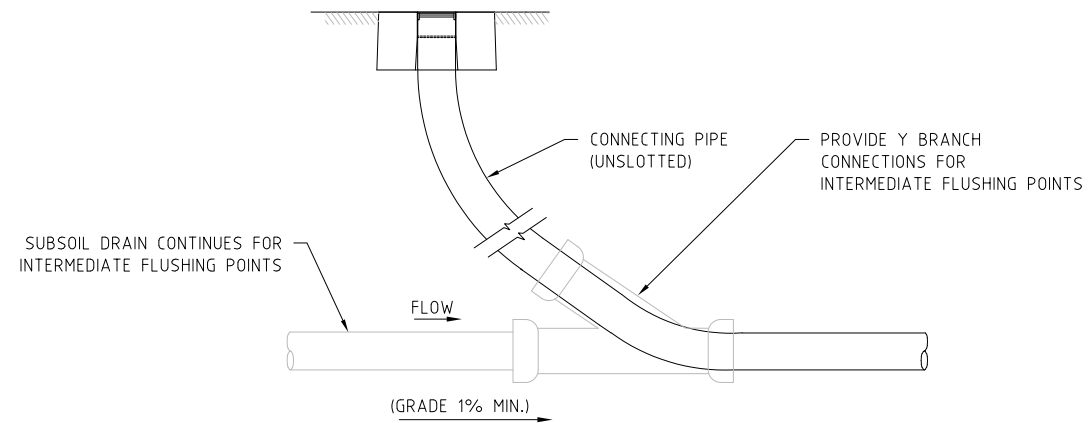


**FLUSHING POINT
PLAN**



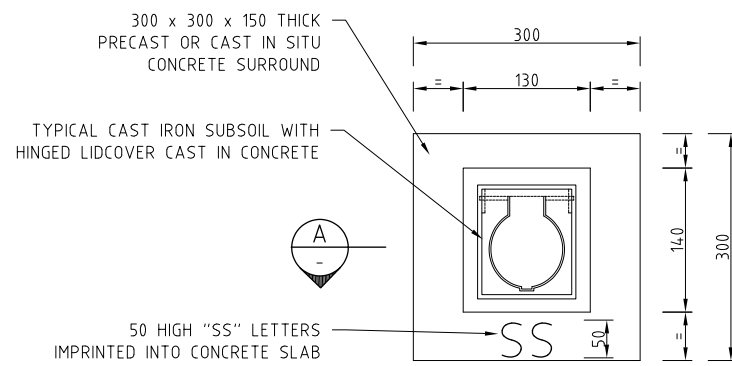
**FLUSHING POINT
ELEVATION**

NOTES:

1. REFER TO DRAWING ACTSD-0000 FOR GENERAL NOTES.
2. CONCRETE SURROUNDS TO BE GRADE N25 AND INSTALLED ON FOUNDATIONS COMPACTED TO 100% SDD.
- ③ UNDER ROADS DIVERT RISER SO THAT COVER IS AT OUTSIDE EDGE OF SHOULDER OR BEHIND KERB.
4. ALL OUTLETS SHALL BE PROVIDED WITH A VERMIN PROOF GRATE.
5. SUBSOIL DRAINS THAT OUTLET INTO SUMPS SHALL BE LOCATED ABOVE THE OBVERT OF THE STORMWATER PIPES.
6. OUTLET CONNECTIONS TO BE MADE AT SUMPS OR SUBSOIL OUTLET HEADWALL.

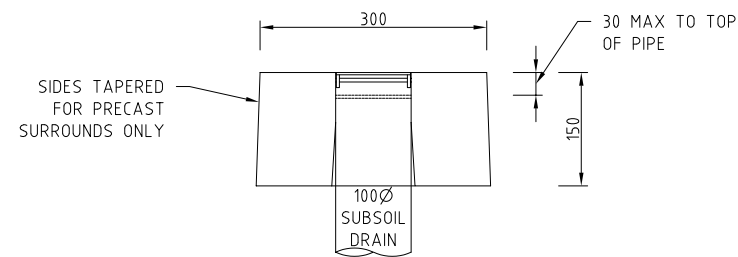
TABLE 1 : SPACING OF FLUSHING POINTS

TRENCH GRADE %	MAX. SPACING OF FLUSHING POINTS (m)
1	80
2	110
>2	150

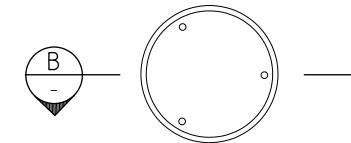


PLAN

**CAST IRON RISER COVER
FOR VERGES**

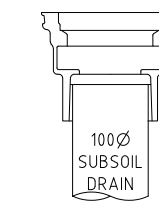


SECTION A

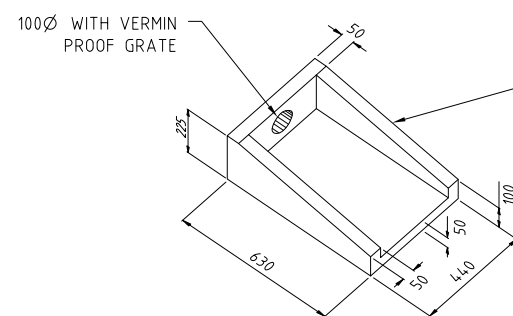


PLAN

**CAST IRON RISER COVER
FOR LANDSCAPED
AREAS**

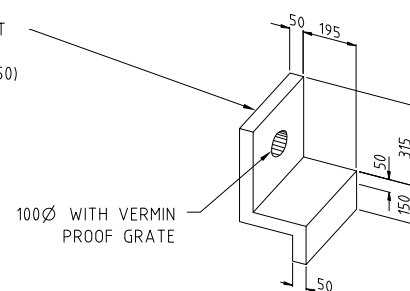


SECTION B



**DRAIN OUTLET
BATTER < 1 IN 3**

PRECAST CONCRETE DRAIN OUTLET
(IF FORMED INSITU ALL WALL
THICKNESS TO BE 75 INSTEAD OF 50)



**DRAIN OUTLET
BATTER > 1 IN 3**



**ACT
Government**

STANDARD DRAWING

**SUBSOIL DRAINAGE
STANDARD DETAILS
SHEET 2**

NOT TO SCALE

Authorised: *[Signature]*

Latest Revision Details

Rev	Amendment	Date
0	BASED ON DRG DS6-02	14/01/19
Drawing No. ACTSD-0302		Revision 0